



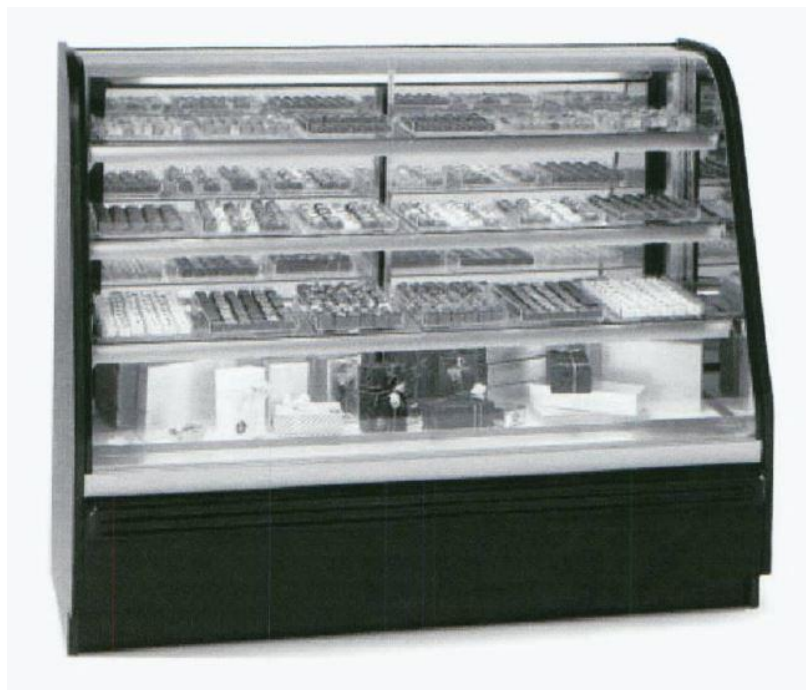
The Signature of Quality®

FCCR-4, FCCR-5, FCCR-6

FCC-4, FCC-5, FCC-6

Self-Contained, Remote, & Non Refrigerated Models

*INSTALLATION &
OPERATION INSTRUCTIONS*



KEEP THIS MANUAL FOR FUTURE REFERENCE

Engineering and technical data are subject to change without notice.

FEDERAL INDUSTRIES
Toll Free 1(800) 356-4206

215 Federal Avenue
WI Phone (608) 424-3331

Belleville, WI 53508
Fax: (608) 424-3234

CONTENTS

INTRODUCTION	3
WARNING LABELS & SAFETY INSTRUCTIONS	4
PRE-INSTALLATION PROCEDURES	5
Inspection For Shipping Damage	5
INSTALLATION INSTRUCTIONS	5-7
Locating the Display Case	5
Removing Case From Shipping Skid	5
Removing Packaging Material	5
Leveling the Case	6
Grill Removal	6
Front Panel.....	6
Condensate Evaporator.....	6
Shelving	7
Lights	7
Cleaning	7
ELECTRICAL INFORMATION & GROUNDING	8
OPERATING INSTRUCTIONS	9-10
Initial Start-Up.....	9
Chocolate/Confectionary Display Conditions	9
Controls	9
Shelves.....	10
Light Replacement.....	10
Tilt-Out Front Glass	10
Doors	10
Placing Product into Case.....	10
Refrigerated Storage Area	11
Periodic Maintenance	11
CLEANING INSTRUCTIONS	11-12
Daily Cleaning.....	11
Weekly Cleaning	11
Interior Cleaning.....	12
Exterior Cleaning.....	12
SERVICE INFORMATION	13-15
Pre-Service Checklist	14
Special Service Situations	15
SALE & DISPOSAL	15
Owner Responsibility	15
FCCR REFRIGERATION, ELECTRICAL DATA & EPLACEMENT PARTS	16-18
FCC ELECTRICAL DATA & REPLACEMENT PARTS	19
WIRING DIAGRAMS	20-26

INTRODUCTION

Thank you for purchasing a Federal Industries display case. This manual contains important instructions for installing and servicing the Non-Refrigerated Curved Glass Hi-Style Display Case. A repair parts list and wiring diagram are also included in the manual. Read all of these documents carefully before installing or servicing your case.



NOTICE

Read this manual before installing your case. Keep this manual and refer to it before doing any service on the equipment. Failure to do so could result in personal injury or damage to the case.



NOTICE

Installation and service of the electrical components in the case must be performed by a licensed electrician.

The portions of this manual covering components contain technical instructions intended only for persons qualified to perform electrical work.



DANGER

Improper or faulty hookup of electrical components in the case can result in severe injury or death.

All electrical wiring hookups must be done in accordance with all applicable local, regional, or national standards.

SERIAL NUMBER

Record the model and serial numbers of the case for easy reference. Always refer to both model and serial numbers in your correspondence regarding the case.

Case Model _____ Serial Number _____

Condensing Unit Model _____ Serial Number _____

We're here to provide you with the best possible experience with your new product, however, we cannot cover everything about your merchandiser in this manual, so if you have any additional questions or issues, please see the SERVICE INFORMATION PAGE to find who you should contact.

WARNING LABELS & SAFETY INSTRUCTIONS



This is the safety-alert symbol. When you see this symbol on your case or in the manual, be alert to the potential for personal injury or damage to your equipment.

Be sure you understand all safety messages and always follow recommended precautions and safe operating procedures.



NOTICE TO EMPLOYERS

You must make sure that everyone who installs, uses, or services your case is thoroughly familiar with all safety information and procedures.

Important safety information is presented in this section and throughout the manual. The following signal words are used in the warning and safety messages:

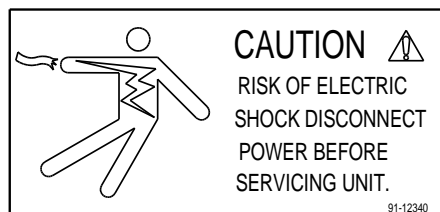
DANGER: Severe injury or death will occur if you ignore the message.

WARNING: Severe injury or death can occur if you ignore the message.

CAUTION: Minor injury or damage to your case can occur if you ignore the message.

NOTICE: This is important installation, operation, or service information. If you ignore the message, you may damage your case.

The warning and safety labels shown throughout this manual are placed on your Federal Industries case at the factory. Follow all warning label instructions. If any warning or safety labels become lost or damaged, call our customer service department at 1(800) 356-4206 for replacements.



This label is located on the back of the display case.

PRE-INSTALLATION PROCEDURES

Inspection for Shipping Damage

You are responsible for filing all freight claims with the delivering truck line. Inspect all cartons and crates for damage as soon as they arrive. If damage is noted to shipping crates, cartons, or if a shortage is found, note this on the bill of lading (all copies) prior to signing.

If damage is discovered when the case is uncrated, immediately call the delivering truck line and follow up the call with a written report indicating concealed damage to your shipment. Ask for an immediate inspection of your concealed damage item. Crating material must be retained to show the inspector from the truck line.

INSTALLATION INSTRUCTIONS

Locating the Display Case

The case should be located where it is not subjected to the direct rays of the sun, heating ducts, grills, radiator, or ceiling fans, nor should it be located near open doors or main door entrances. Also, avoid locations where there are excessive air movement or air disturbances.

The condenser air inlet is located at the rear of the case. Do not block this inlet and do not locate the air inlet near a source of heat.

Removing Case From Shipping Skid



CAUTION: Do not push against the curved glass, ends, doors or door frames when removing the case from the skid or moving the case. Case damage or glass breakage could result.

Move the case as near as possible to the final location before removing it from the shipping skid.

Remove the eight (8) bolts that secure the case to the shipping skid.

Removing the Packaging Material

Remove the shipping tags that secure the doors, and tilt-out front glass. If it is necessary to remove tape residue from plastic material, use cleaning compounds recommended in the Cleaning section of this manual.

Leveling the Case

The case must be level for proper drainage of defrost condensate to the condensate evaporator reservoir.

The case must be level for the front glass to seal properly. The leveled case can be sealed to the floor using a NSF Listed Sealant.

Grill Removal



DANGER: Electric shock hazard. Do not operate unit with panels removed.

There is a removable slotted panel at the rear of the case. The panel allows access to the condensing unit, the light ballast, the condensate pan, and the field wiring connection box. Remove this panel to make field wiring connections. See electrical information and grounding section of this manual before wiring case.

To remove the air grill, open the rear storage door and remove the two (2) screws along the right edge of the grill. The left end is supported by two (2) pins attached to the case end. Pick up the grill on either end and move it to the right to lift it off the locating pins.

Front Panel

The flat front panel attaches to the case using screws and brackets that fit into pockets on the base front. To remove the panel, slide it upward to get the mounting brackets and screws out of the pockets.

Removal of this panel allows access to the compressor service ports.

Condensate Evaporator

This case is furnished with an electrical condensate evaporator. Plumbing connections are not required.

The condensate evaporator is located toward the front of the machine compartment and is accessible from the rear of the case.

Make sure that the drain line has not been dislodged during shipment and that the drain trap is located properly over the water reservoir of the condensate evaporator pan.

Shelving

The case is equipped with three tiers of adjustable glass shelves. The deepest shelf is at the bottom and the shallowest at the top. Each tier is supported by three (3) shelf brackets.

Turn the shelf light switch “off”.

Remove both rear doors from the track by lifting them upward until the bottom edge clears the lower door track and then outward.

To install the bottom shelf, put a 14” shelf bracket in the end shelf standard even with or above the bottom light socket and tighten the locking cam.

Then install a center shelf bracket in the center shelf standard and tighten the locking cam. The center shelf bracket has no end hook and is shorter than the end brackets in order to clear the shelf light housing.

Before 11/01/21 Hang the shelf light assembly with the longest cord on the end shelf brackets. Plug the shelf light cord in the light sockets. Make certain the light cord is completely inserted into the socket or arcing may result causing damage to the plug and socket.

After 11/01/21 hang shelf support w/light attached on shelf brackets as shown & insert shelf light plug into end of shelf light.

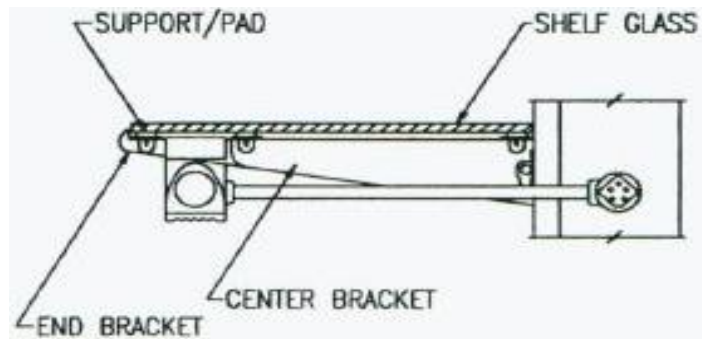
Each shelf bracket gets two plastic supports with rubber pads. Put two single width supports on each end shelf bracket. Put two double width supports on the center shelf brackets.

Repeat the steps for the middle and top shelves.

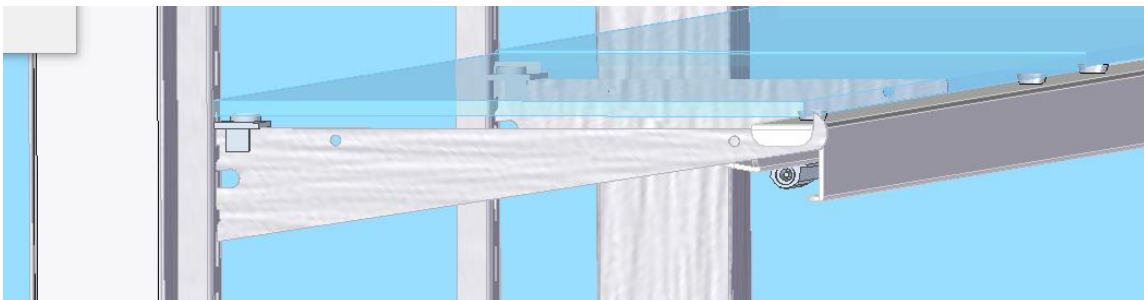
Put the glass shelves on the support pads as shown for each tier. If the shelf is not in the proper position, it may disrupt the air flow in the case and cause product loss.

Reinstall both rear doors.

BEFORE 11/01/21



AFTER 11/01/21



Lights

Make certain that the light cord plugs are completely inserted into the sockets or arcing may result causing damage to the plugs and sockets.

Cleaning

For initial setup, clean the case as outlined in the weekly cleaning section.

ELECTRICAL INFORMATION & GROUNDING

This Case Must Be Grounded



DANGER: Improper or faulty hookup of electrical components in the display case can result in severe injury or death.

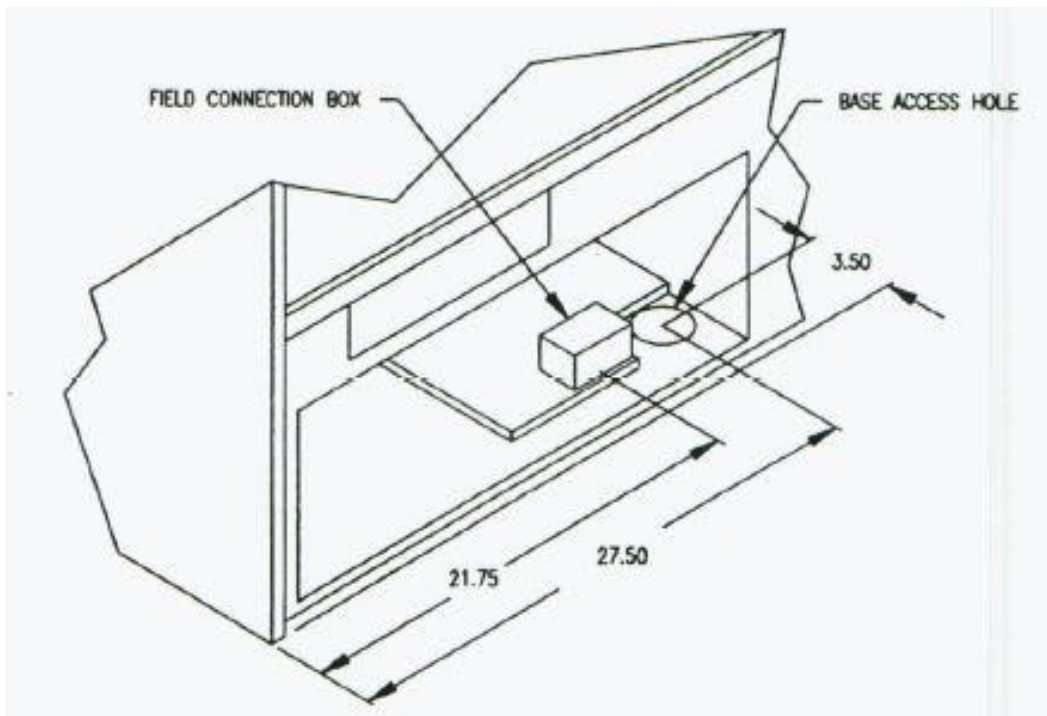
Only a licensed electrician must perform all case electrical connections.

All electrical wiring hookups must be done in accordance with all applicable local, regional, or national electrical standards.

A separate circuit for each display case is recommended to prevent other appliances on the same circuit from overloading the circuit and causing malfunction.

The electrical service must be grounded upon installation.

This unit is designed for permanent connection to a power source. See the electrical data plate located next to the temperature control for proper circuit size and wire ampacity.



OPERATING INSTRUCTIONS

Initial Start-Up

After all the checks outlined in the installation section of this manual have been made, the case is ready to be put into service. The service valves on the refrigeration system are back-seated when the unit leaves the factory.

Chocolate/Confectionery Display Conditions

Chocolate and confectionery display cases are designed to operate between 60F and 70F and between 50% to 60% relative humidity. These display cases are not storage refrigerators capable of holding product below these levels.

Controls

Humidity Control

This controls the case humidity by cycling a tubular heater. It has an off position and numbered positions indicating 40% through 80% relative humidity. Set this control at the highest number while maintaining desired case humidity levels.



Note: Ambient humidity levels can affect the interior humidity levels of the display case. The case is designed to operate in maximum ambient of 75F and 55% relative humidity conditions.

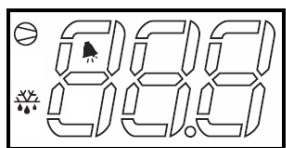


Before 09/01/21

After 09/01/21



OPERATING INSTRUCTIONS FOR DIGITAL TEMPERATURE CONTROL AFTER 09/01/21

QUICK REFERENCE CARD - ADJUSTMENT	
▲	Power & set point up adjust
⚙️	Set point adjust mode
▼	Manual defrost & set point down adjust
▲	Hold 3 seconds to start system if off
▲	Hold 3 seconds to shut down system if on
▼	Hold 3 seconds for manual defrost
▼	Hold 3 seconds to terminate manual defrost
⚙️	Hold for 3 seconds to enter set point adjust mode
▲	Adjusts system to colder setting while in set point mode (use higher settings for colder temps - e.g. "6" instead of "5")
▼	Adjusts system to warmer setting while in set point mode (use lower settings for higher temps - e.g. "4" instead of "5")
Control manuals available at carel.com	
Display case manuals available at federalind.com	
	
<i>The Signature of Quality</i>	
	
91-20001	

QUICK REFERENCE CARD - DISPLAY	
⊙	Compressor on
❄️	Defrost mode
🔔	Alarm active
	
Display Reads:	
"OFF" - System is off	
"1" thru "9" - Currently selected set point (system is on)	
"E" followed by any character - Error code see Federal owner's manual	
Some controls display green characters, some display red, the control is operating normally in either case.	
If control emits beeping noise press and release ⚙️ to mute	
Read error code and check Federal owner's manual to determine if service is required	
	
<i>The Signature of Quality</i>	
	

Temperature Control

This controls the case temperature by cycling the compressor/condensing unit. It has an "off" position and numbered positions 1 through 9. The coldest setting is 9. Set this control at the smallest number while maintaining desired case temperature.

Light Switch

This switch controls the power to the lighting circuit. The switch rocker is red in the “on” position, black in the “off” position.

High Pressure Safety Control

This is a safety device. It is nonadjustable and will shut off the compressor if system pressure exceeds 385#psig.

Shelves

The case is furnished with three (3) tiers of glass shelves which are adjustable up and down. To reposition the shelves:

1. Turn the shelf lights off.
2. Unplug the shelf light cord.
3. Remove the glass shelves and shelf light housing from the shelf brackets.
4. Grasp the shelf bracket and remove from existing slots in pilaster.
5. Reposition the shelf bracket to the desired slots.
6. Reinstall shelf light housing and glass shelves.
7. Plug the shelf light cord in the light socket.

Light Replacement before 11/01/21

The light fixtures use a spring loaded socket on one end. To remove a light, push the bulb toward the spring-loaded socket until the opposite end drops out of the socket.

The bulbs are furnished with plastic safety light shields. Make certain the light shields are always in place to safeguard against bulb breakage.

When replacing lights, use direct equivalents to the original bulbs.

Light Replacement after 11/01/21

The shelf lights are fastened to the shelf support rails with a two-way tape. To remove you will need to peel the light off. To reinstall wipe down the shelf support rail with alcohol & apply light.

Tilt-Out Front Glass

The front glass tilts out for easy cleaning of the case interior and inner glass pane. Two cables at the top corners hold the glass in the open position.



CAUTION: Do not push the front glass to close it. Always hold onto the top edge when closing the front glass.

Doors

The doors can be removed by lifting up the door until the bottom clears the bottom track.

Clean the door track frequently for easy door operation. A very light film of lubricant, such as PAM, will help the doors slide easily.

Placing Product into Case

Do not overhang glass shelves with product or display pans. Overhanging the shelves will block the refrigerated air flow and could cause product loss.

Do not block the slots along the front air grill or along the display deck backs.

Refrigerated Storage Area

Looking at the back of the case, there is a lockable refrigerated storage compartment in the lower right corner. The door swings down when opened. The storage door should always be closed tightly to ensure proper operation of the display case.

Periodic Maintenance

Cleaning Condenser Coil

Disconnect power to the unit.

Remove the rear grill and vacuum the front surface of the condenser coil. This should be done every one to two months as necessary.

CLEANING INSTRUCTIONS

Daily Cleaning

The case should be cleaned thoroughly, as described in the weekly cleaning section, before it is used for the first time.



NOTICE: Avoid splashing or soaking any electrical components with water to prevent electrical damage to the case.



NOTICE: Shut off lights and power switches and remove all product from case. Allow sufficient time for the unit to reach room temperature before proceeding with cleaning.

Note: For major spills or foreign material buildup use complete weekly cleaning instructions.

1. Clean all foreign materials from the door opening.
2. Wipe complete interior of case using a damp cloth.
3. The glass can be cleaned with common window cleaner. The remaining exterior surface should be wiped down using any ammoniated cleanser or soapy warm water.

NOTE: Detergents are **not** recommended.



CAUTION: Do not use alcohol based or solvent cleaners on the front or side glass.

Weekly Cleaning

This procedure is recommended on a weekly basis. It may need to be performed more often if necessary to maintain a clean, sanitary case. The case should be cleaned to this procedure before using the first time.



NOTICE: Avoid splashing or soaking any electrical components with water to prevent electrical damage to the case.



NOTICE: Shut off light and power switches and remove all product from case. Allow sufficient time for the unit to reach room temperature before proceeding with cleaning.

Interior Cleaning

1. Remove rear doors from track by lifting door upward until the bottom of the door clears the lower door track and then outward. Remove the inner door in the same manner.
2. Remove all shelves from the case by sliding them rearward and through the door openings.
3. Unplug the shelf lights and lift one end then the other off the shelf brackets then through the door opening.
4. Remove the shelf brackets from the shelf standards.
5. Open the tilt-out front glass.
6. Open the door for the rear storage area.
7. Clean the entire interior of the case using warm soapy water. Wipe off all soapy water with a damp cloth and allow to dry.

NOTE: Depending on the amount of usage and spillage of foreign material, some fasteners may have to be removed and parts disassembled to allow proper cleaning of the unit.

8. Clean all shelves, shelf brackets, and shelf light housings using warm soapy water and a brush. Rinse thoroughly and allow to dry.
9. Clean all foreign material from inner and outer rear door tracks using warm soapy water and a brush. Apply a light film of lubricant, such as PAM, to make the doors operate smoother.
10. Clean both sides of the doors, end glass, and interior of the front glass using any common window cleaner.



CAUTION: Do not use alcohol based or solvent cleaners on the front or side glass.

11. Reassemble the case in reverse order starting with step 6.

Exterior Cleaning

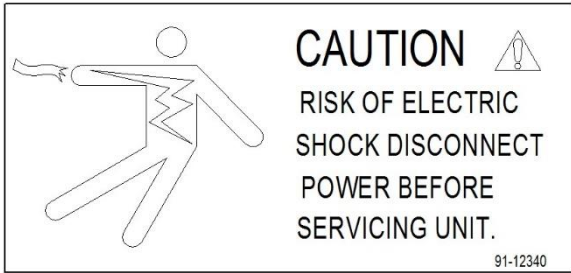
1. Clean the front glass using any common window cleaner.



CAUTION: Do not use alcohol based or solvent cleaners on the front or side glass.

2. The exterior surfaces should be wiped down using any ammoniated cleansers or warm soapy water.

SERVICE INFORMATION



Before any service work is performed on the case, make sure all power is disconnected to the case.

To find a service company in your area, please visit our website at www.federalindustries.com. There you can also find self-service tools to help you get the answers you need faster!

For Warranty Service Requests & ALL Technical Support please contact:

- Phone: (800) 356-4206 and choose the Tech Support/Warranty Option
- Email: Service@federalind.com

For Warranty Compressors please contact the Parts Department:

- Phone: (800) 356-4206 and choose the Warranty Parts Option
- Email: Parts@Federalind.com



Federal Industries has partnered with Parts Town for ALL Non-Warranty Part Identification, Pricing, Lead Times, Orders & Freight Quotes. Please contact Parts Town directly if you need parts:

- Website: PartsTown.com
- Email: CustomerService@PartsTown.com
- Phone: 833-809-8188



Pre-Service Checklist

You may avoid the cost and inconvenience of an unnecessary service call by first reviewing this checklist of frequently encountered situations that can cause unsatisfactory case performance.



CAUTION: Before servicing case, turn off power at the main breaker of fuse box.

Case Does Not Operate

Check for disconnected power supply.

Check for tripped breaker or blown fuse.

Check that the thermostat is not “off”.

Lights Do Not Operate

Check that light switch is on.

Be sure light is properly seated in the sockets.

Case Temperature Too Warm

Check that the cold air inlet and outlet slots are not blocked.

Be sure front glass is closed tightly and back doors are closed.

Check for a blocked or dirty condenser coil.

Check interior airflow. Lack of adequate cold airflow could indicate a defective evaporator fan or a blocked evaporator coil. Check that paper or foreign materials are not blocking evaporator. If the evaporator coil is blocked due to excessive frost, turn the thermostat knob to the “off” position for approximately one hour to defrost. Excessive frost will build up if the case is operated with the rear doors open or the storage door ajar.

Glass Fogging

Check room ambient conditions – Case is designed to operate in an environment not to exceed 75°F and 55% relative humidity.

Check case temperature – Case is designed to operate between 60°F and 70°F.

Special Service Situations

There are rare occasions when the refrigerant charge must be evacuated from a case to perform service work. In those situations, Federal Industries recommends that the refrigerant charge be evacuated into a recovery system to prevent the possibility of hydro-fluorocarbons (HFC's) from being released into the atmosphere. The release of HFC's into the atmosphere is a potential source of global warming.

If moisture or liquid is observed around or under a Federal Industries case, an immediate investigation should be made by qualified personnel to determine the source of the moisture or liquid. The investigation must determine if the case is malfunctioning or if there is a simple housekeeping problem.

Moisture or liquid around or under a case is a potential slip/fall hazard for persons walking by or working in the general area of the case. Any case malfunction or housekeeping problem that creates a slip/fall hazard around or under a case should be corrected immediately.

SALE & DISPOSAL

Owner Responsibility

If you sell or give away your Federal Industries case, you must make sure that all safety labels and the Installation-Service Manual are included with it. If you need replacement labels or manuals, Federal Industries will provide them free of charge. Contact the customer service department at Federal Industries at (800) 356-4206.

The customer service department at Federal Industries should be contacted at the time of sale or disposal of your case so records may be kept of its new location.

If you sell or give away your Federal Industries case and you evacuate the refrigerant charge before shipment, Federal Industries recommends that the charge be evacuated into a recovery system to reduce the possibility of HCFC's from being released into the atmosphere. The release of HCFC's into the atmosphere is a potential source of ozone depletion.

FRIGERATION & ELECTRICAL DATA

BEFORE 01/01/2021

	<u>FCCR-4</u>	<u>FCCR-5</u>	<u>FCCR-6</u>
Refrigerant (R-134A)	18 oz.	18 oz.	18 oz.

ALL MODELS ARE 115 VOLT, 60 HERTZ, 1 PHASE

	AMPS	AMPS	AMPS
Compressor			
RLA	6.1	6.1	6.1
LRA	40.0	40.0	40.0
Condenser Fan Motor	0.6	0.6	0.6
Evaporator Fan Motor	0.4	0.4	0.4
Lamp Circuit	0.94	0.94	1.0
Humidity Air Heater	1.6	1.6	1.6
Condensate Evaporator	1.6	1.6	1.6

Refer to the rating plate data attached to the rear of the case for Maximum Fuse Size and Minimum Circuit Ampacity.

BEFORE 01/01/2021

	<u>FCCR-4R</u>	<u>FCCR-5R</u>	<u>FCCR-6R</u>
Refrigerant	R-134A	R-134A	R-134A

ALL MODELS ARE 115 VOLT, 60 HERTZ, 1 PHASE

	AMPS	AMPS	AMPS
Evaporator Fan Motor	0.4	0.4	0.4
Lamp Circuit	0.94	0.94	1.0
Humidity Air Heater	1.6	1.6	1.6
Condensate Evaporator	1.6	1.6	1.6

Refer to the rating plate data attached to the rear of the case for Maximum Fuse Size and Minimum Circuit Ampacity.

REPLACEMENT PARTS

MODEL FCCR-4, FCCR-5, FCCR-6

Part Description	Part Number		
<u>Refrigeration System</u>			
	<u>FCCR-4</u>	<u>FCCR-5</u>	<u>FCCR-6</u>
Condensing Unit (Before 9/15/2014)	30-19110	30-19110	30-19110
Compressor (Before 9/15/2014)			
Condensing Unit (After 9/15/2014)	30-20294	30-20294	30-20294
Replacement Compressor (After 9/15/2014)	30-20350	30-20350	30-20350
Evaporator Coil	33-12247	33-12247	33-12248
Expansion Valve	32-19111	32-19111	32-19111
Evaporator Fan Motor	41-11628	41-11628	41-11628
Evaporator Fan Blade	72-32507	72-32507	72-32507
Filter Drier	32-11451	32-11451	32-11451
Thermostat Before 09/01/21	32-12537	32-12537	32-12537
Electronic Temp Control After 09/01/21	32-19864-19	32-19864-19	32-19864-19
Temp Probe 5' length	32-21046	32-21045	32-21046
Humidstat	32-19100	32-19100	32-19100
Condensate Evaporator	40-32903	40-32903	40-32903
Thermostat Knob Black	72-12618	72-12618	72-12618
Humidistat Knob White	furnished with humidistat does not have number		

Electrical Components

Power or Light Switch	41-11066	41-11066	41-11066
Ballast	39-12904	39-12904	39-12903
Power Supply 24V	39-20986	39-20986	39-20986
Light Bulb	42-11069	42-11070	42-11071
Light led 24V	42-2871-38C35	42-20871-54C35	42-20871-66C35
Light Socket (Stationary)	42-10834	42-10834	42-10834
Light Socket (Spring Loaded)	42-10833	42-10833	42-10833
Air Heater, Tubular	40-12545	40-12545	40-12545

REPLACEMENT PARTS

MODEL FCCR-4, FCCR-5, FCCR-6

Part Description	Part Number		
<u>Misc. Components</u>	<u>FCCR-4</u>	<u>FCCR-5</u>	<u>FCCR-6</u>
Front Curved Glass	50-18464	50-18465	50-18466
Glass Shelf Top	52-12597	52-12600	52-12603
Glass Shelf Middle	52-12598	52-12601	52-12604
Glass Shelf Bottom	52-12599	52-12602	52-12605
Door R.H. Reflective	53-12550	53-12552	53-12554
Door L.H. Reflective	53-12551	53-12553	53-12555
Light Shield	42-30209	42-30209	42-30209
Shelf Support L/R Plastic	67-12648	67-12648	67-12648
Shelf Support Center Plastic	67-12647	67-12647	67-12647
Gray Shelf Pad	78-10270	78-10270	78-10270
Mirrored End –Left	55-18451-L	55-18451-L	55-18451-L
Mirrored End –Right	55-18451-R	55-18451-R	55-18451-R

ELECTRICAL DATA

FCC-4 FCC-5 FCC-6

ALL MODELS ARE 120 VOLTS, 1 PHASE, 60 HERTZ

	AMPS	AMPS	AMPS
Fan Motor	0.2	0.2	0.2
Lamp Circuit	1.0	1.0	1.0

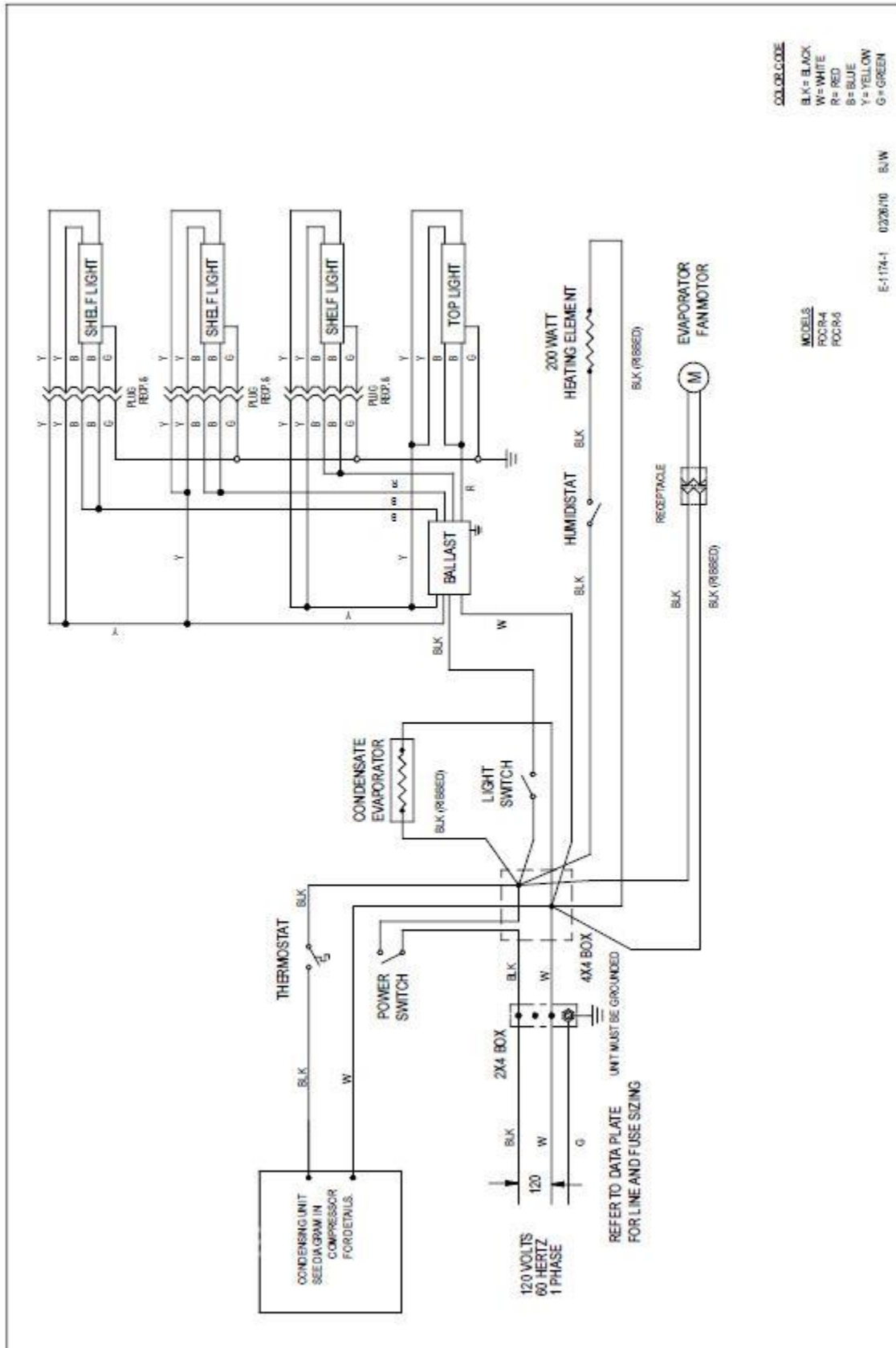
Refer to the data plate attached to the rear of the case for Maximum Fuse Size and Minimum Circuit Ampacity.

REPLACEMENT PARTS

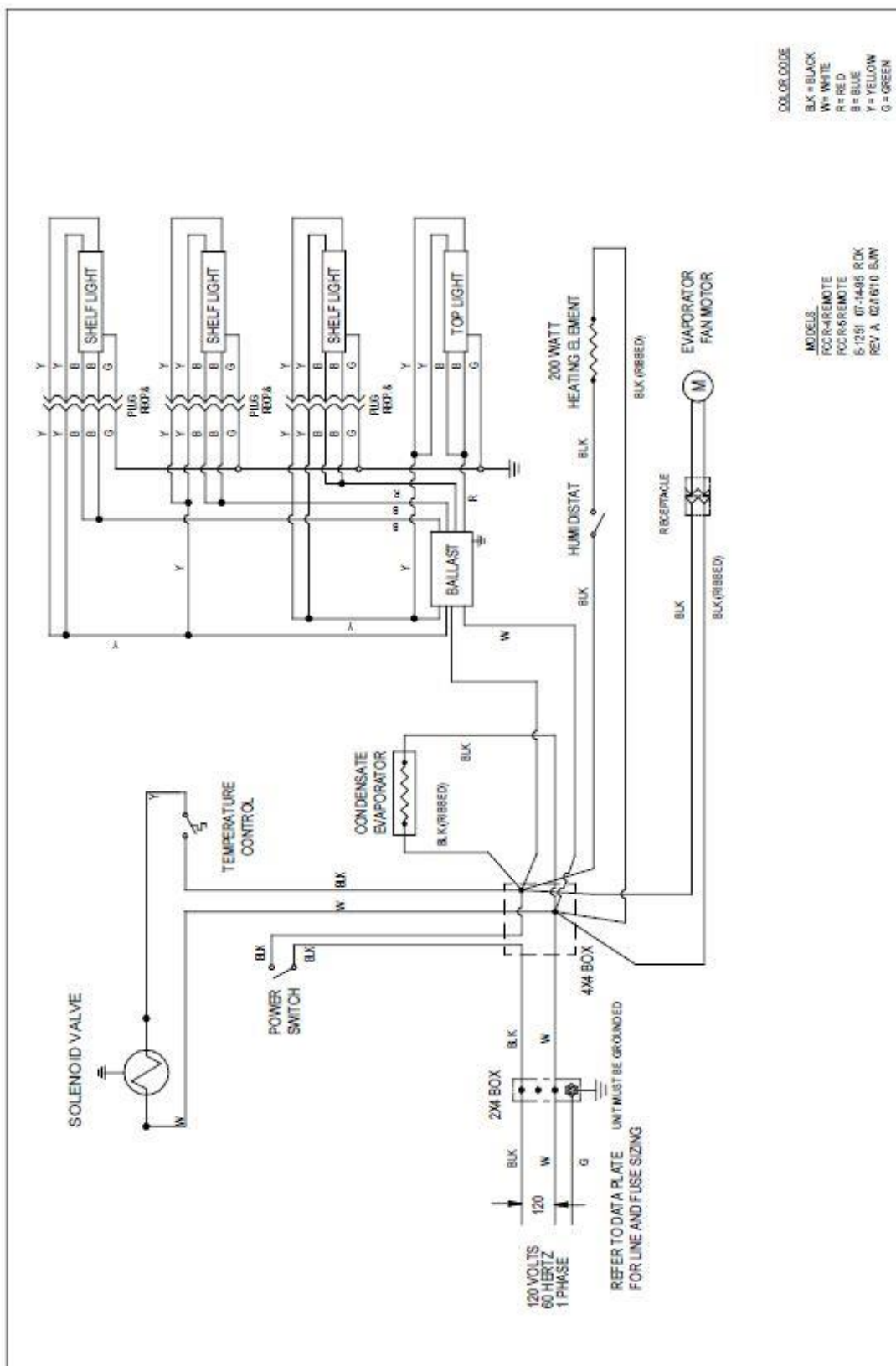
MODEL FCC-4, FCC-5, FCC-6

Part Description	Part Number		
<u>Electrical Components</u>	<u>FCC-4</u>	<u>FCC-5</u>	<u>FCC-6</u>
Power or Light Switch	41-11066	41-11066	41-11066
Ballast	39-12904	39-12904	39-12903
Power Supply 24V	39-20986	39-20986	39-20986
Light Bulb	42-11069	42-11070	42-11071
Light led 24V	42-2871-38C35	42-20871-54C35	42-20871-66C35
Light Socket (stationery)	42-10834	42-10834	42-10834
Light Socket (spring loaded)	42-10833	42-10833	42-10833
Air Circulation Fan	41-11170	41-11170	41-11170
<u>Misc. Components</u>			
Front Curved Glass	50-12470	50-12471	50-12472
Glass Shelf Top	52-12597	52-12600	52-12603
Glass Shelf Middle	52-12598	52-12601	52-12604
Glass Shelf Bottom	52-12599	52-12602	52-12605
Door R.H.- Reflective	53-12550	53-12552	53-12554
Door L.H.- Reflective	53-12551	53-12553	53-12555
Light Shield	42-30209	42-30209	42-30209
Shelf Support L/R Plastic	67-12647	67-12647	67-12647
Shelf Support Center Plastic	67-12648	67-12648	67-12648
Gray Shelf Pad	67-72586	67-72586	67-72586
Mirrored End- Left	55-12549-L	55-12549-L	55-12549-L
Mirrored End- Right	55-12549-R	55-12549-R	55-12549-R

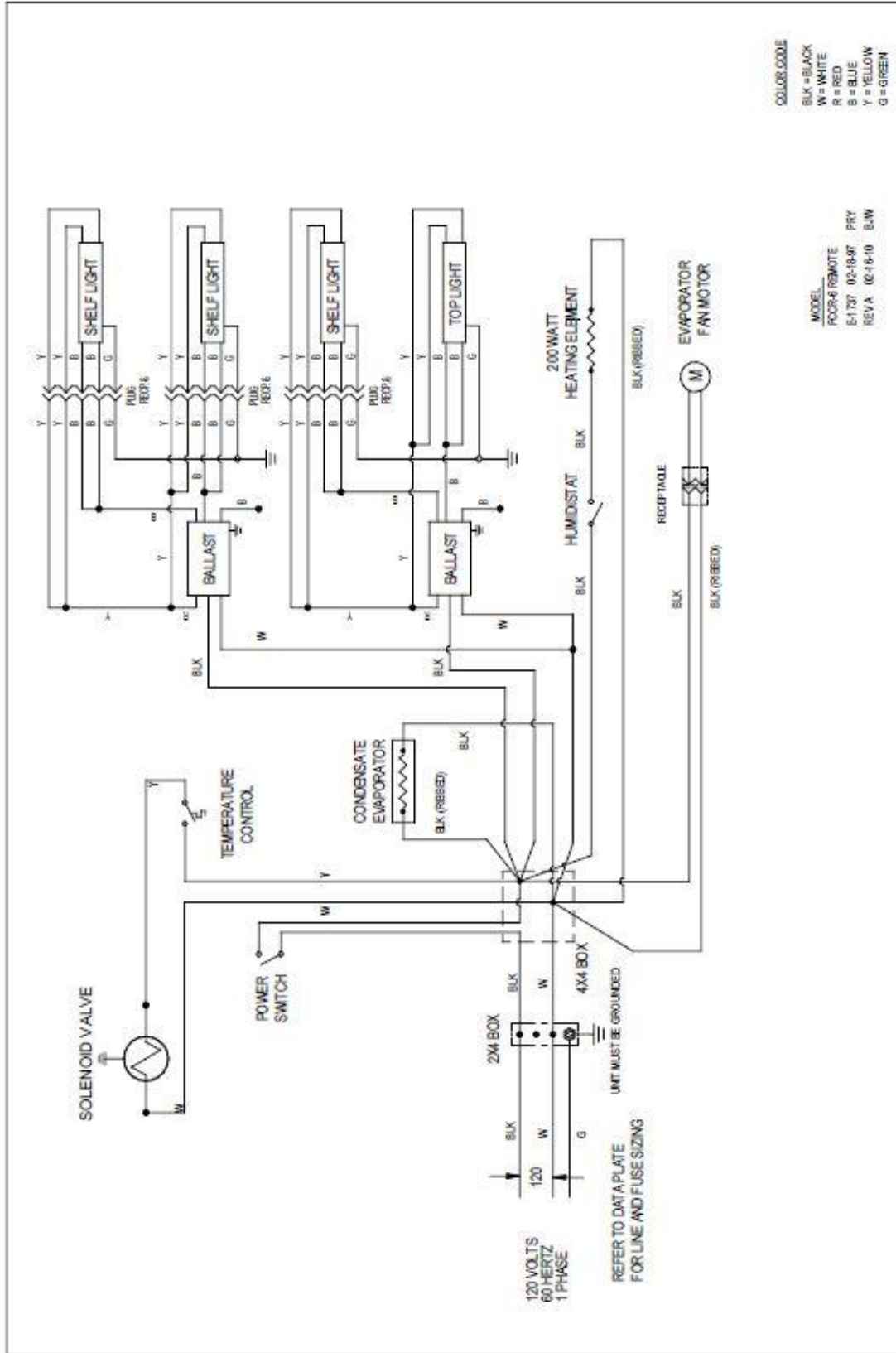
WIRING DIAGRAM- FCCR-4 & FCCR-5



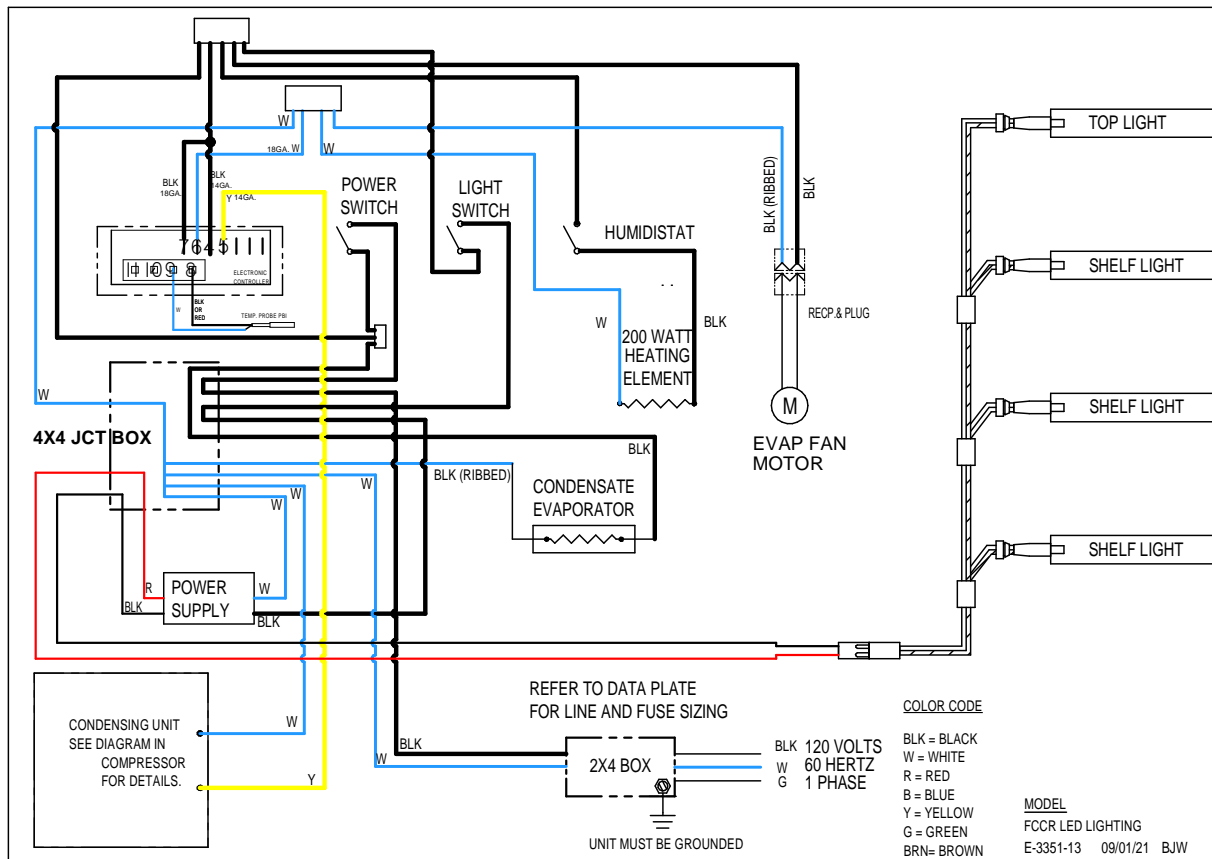
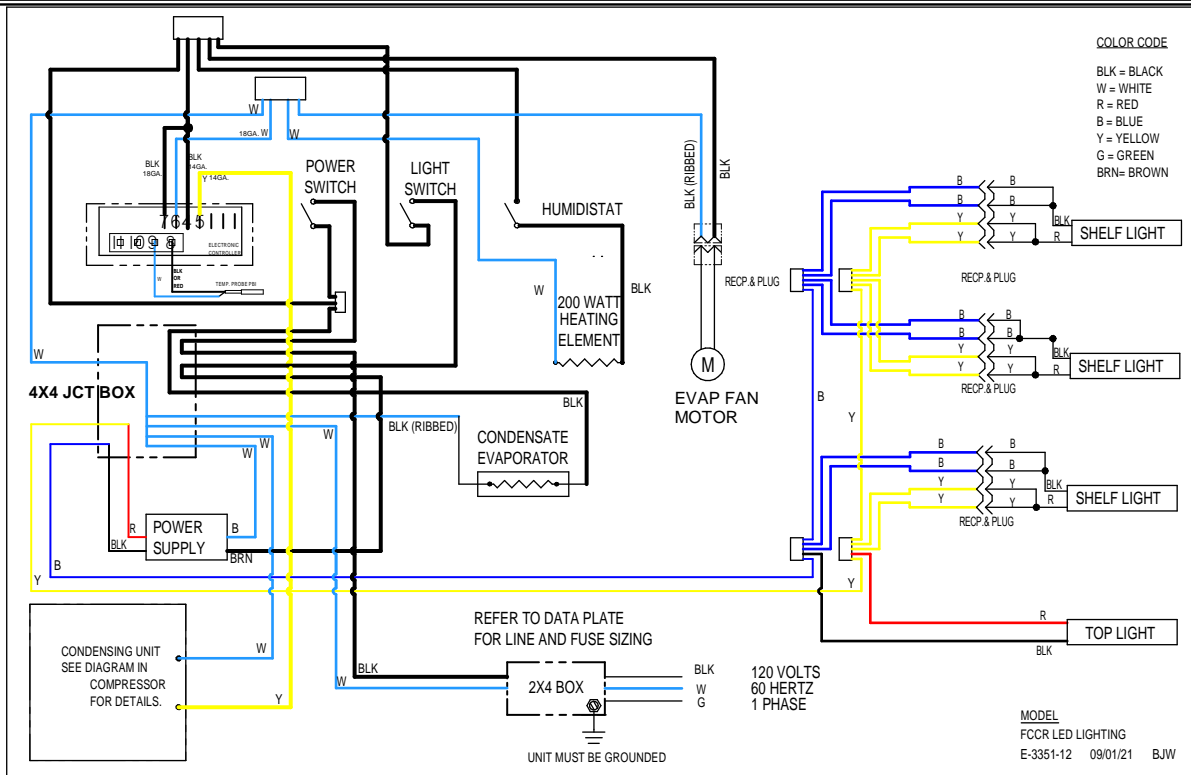
WIRING DIAGRAM- FCCR-4 & FCCR-5 REMOTE



WIRING DIAGRAM- FCCR-6 REMOTE



WIRING DIAGRAM – FCCR-4 & FCCR-5 AFTER 09/01/21



WIRING DIAGRAM FCC-4, FCCR-5, FCC-6

