



The Signature of Quality

FEDERAL INDUSTRIES

A Standex Company

215 Federal Avenue
Belleville, Wisconsin 53508-9201

Phone: 800-356-4206

Fax: 608-424-3234

Email: Geninfo@Federalind.com

Website: Federalind.com

Project Name: _____

Item #: _____

Model #: _____ Qty: _____

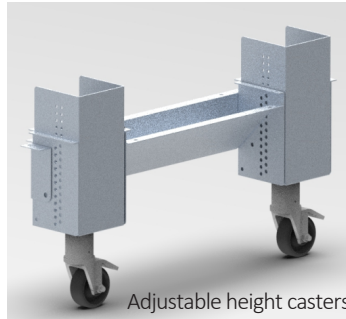
Approval: _____

AIA #

SIS #

VISION SERIES - Square Ends Self-Serve Refrigerated Slide-In Display Case - 60"

Designed with impulse sales in mind. Get maximum return from an attention-grabbing merchandiser and increase profits.



Adjustable height casters

Table with 2 columns: MODEL and DIMENSIONS (Includes End Panels). Rows include VRSS3660S-SLD, VRSS4860S-SLD, VRSS6060S-SLD, and VRSS7260S-SLD with their respective dimensions in inches and millimeters.

STANDARD FEATURES

Model Features

- Black interior including shelves
Stainless steel display deck
Tempered glass upper end panels
Black powder coated base frame
Black trim
Rear air intake and discharge
Adjustable height casters (3) with locks
Cord & plug
Energy saving night curtain

Refrigeration

- R449a refrigerant
Electronic temperature control maintains 38°-40°F (3.3°-4.4°C)
Digital thermometer
Clear coil on demand defrost
Coated evaporator coil

Shelving

- Two tiers of adjustable black metal shelves with black price tag molding
Shelves can be flat or slanted down at 10°

Lighting

- 3500K LED top light

Agency Approvals

- UL, C-UL and UL Sanitation listed to NSF-7, Type II conditions
DOE 2017 compliant

OPTIONAL ACCESSORIES

- White interior (including shelves)
Stainless steel interior (including shelves)
Stainless steel shelves in lieu of black
Additional lighted 3500K LED shelf (NO)
Deli meat pegs
High-capacity condensate evaporator assembly
Self-cleaning condenser
Graphics package
Clear or reflective glass, sliding rear doors
Black polycarbonate removable locking security cover
Roll-Down locking security cover

*Additional options available on the website and price list.



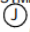

WARRANTY* One year Parts and Labor 2nd thru 5th year part only service compressor (U.S.A. and Canada)

Note: Information is subject to change at any time. Visit www.federalind.com for the most current specs.

| | |
|-------|--|
| AIA # | VISION SERIES - Square Ends Self-Serve Refrigerated Slide-In Display Case - 60" |
| SIS # | Product Specifications |

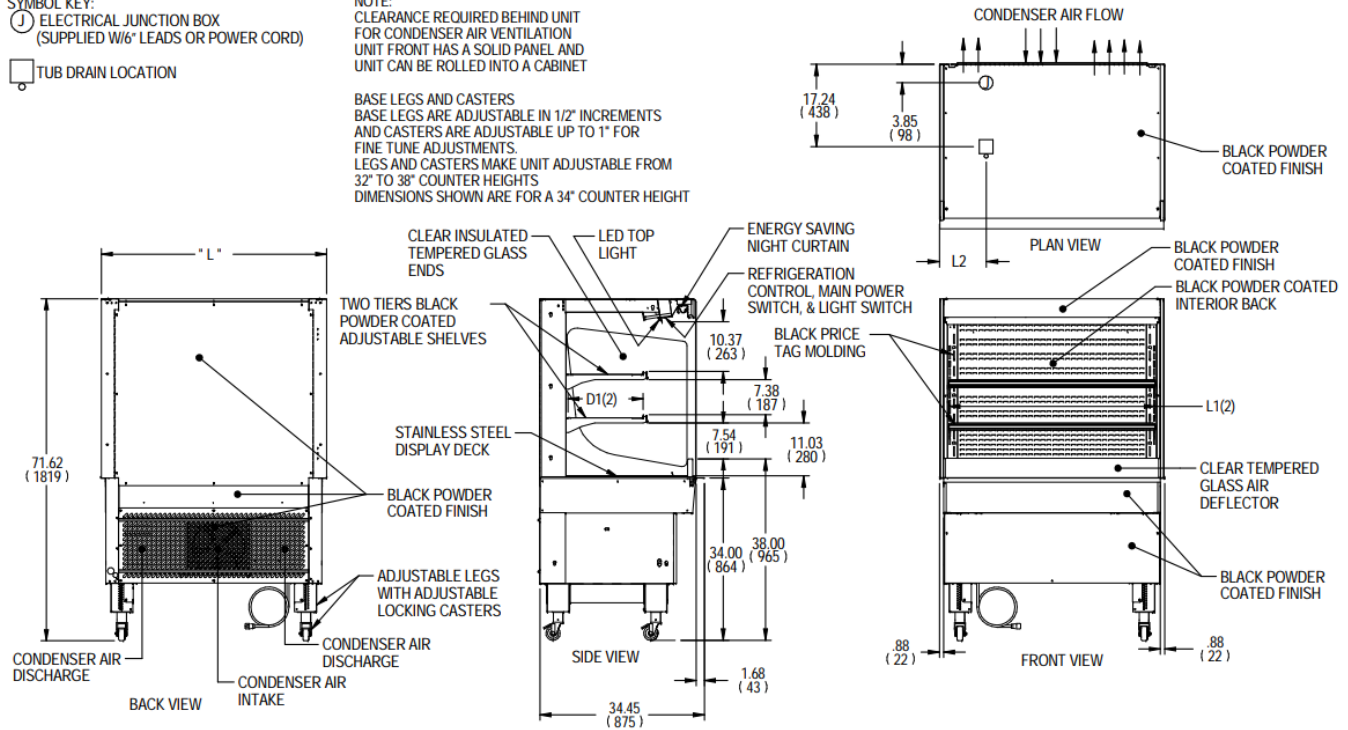
| | | |
|--|----------------------------------|---------------------|
| Intended Environment: Type II (Self Contained) - Designed to operate in maximum ambient conditions of 80°F (24°C) and 55% relative humidity. | | |
| Zone | Intended Product To Be Displayed | Avg Prod Temp °F/°C |
| All | Packaged Refrigerated Products | 38°F / (3.3°C) |

DIMENSION: xx"/(mm)
DIMENSION TOLERANCE +/-
0.25 (6.4)

SYMBOL KEY:
 ELECTRICAL JUNCTION BOX (SUPPLIED W/6' LEADS OR POWER CORD)
 TUB DRAIN LOCATION

NOTE:
 CLEARANCE REQUIRED BEHIND UNIT FOR CONDENSER AIR VENTILATION
 UNIT FRONT HAS A SOLID PANEL AND UNIT CAN BE ROLLED INTO A CABINET

 BASE LEGS AND CASTERS
 BASE LEGS ARE ADJUSTABLE IN 1/2" INCREMENTS AND CASTERS ARE ADJUSTABLE UP TO 1" FOR FINE TUNE ADJUSTMENTS.
 LEGS AND CASTERS MAKE UNIT ADJUSTABLE FROM 32" TO 38" COUNTER HEIGHTS
 DIMENSIONS SHOWN ARE FOR A 34" COUNTER HEIGHT



E3973-3 REV A

| MODEL | DIMENSIONS | | | | TUB DRAIN | SHELVING | | INTERIOR VOLUME CU FT | ELECTRICAL 2 WIRE + GROUND | STANDARD CONNECTION CORD & PLUG | | | REFRIGERANT | C.U. HP | CONDENSATE REMOVAL | SHIP WEIGHT LBS KILO | |
|---------------|------------|-----|------|-------|-----------|------------|--------|--------------------------|-------------------------------|------------------------------------|------|---------------|-------------|------------|-----------------------|----------------------------|-------------|
| | L | D | H | L2 | | # OF TIERS | L1 | | | D1 | AMPS | MAX FUSE SIZE | | | | | NEMA CORD & |
| | in | in | in | in | | | in | | | in | | | | | | | |
| VRSS3660S-SLD | 36 | 33 | 71.6 | 6.74 | 2 | 32.25 | 16.634 | 13.98 | 120/60/1 | 12.7 | 20 | NEMA 5-20P | R449A | 3/4 | INTEGRATED PAN | 535 | |
| | 914 | 838 | 1819 | 171 | | 819 | 423 | | | | | | | | | 243 | |
| VRSS4860S-SLD | 47.25 | 33 | 71.6 | 13.49 | 2 | 43.25 | 16.634 | 18.48 | 208-240/60/1 | 12.5 | 20 | NEMA 6-20P | R449A | 1 | INTEGRATED PAN | 620 | |
| | 1200 | 838 | 1819 | 343 | | 1099 | 423 | | | | | | | | | 281 | |
| VRSS6060S-SLD | 59.25 | 33 | 71.6 | 14.12 | 2 | 55.25 | 16.634 | 23.39 | 208-240/60/1 | 13.5 | 20 | NEMA 6-20P | R449A | 1-1/4 | INTEGRATED PAN | 755 | |
| | 1505 | 838 | 1819 | 359 | | 1403 | 423 | | | | | | | | | 342 | |
| VRSS7260S-SLD | 71.25 | 33 | 71.6 | 20.12 | 2 | 67.25 | 16.634 | 28.30 | 208-240/60/1 | 13.7 | 20 | NEMA 6-20P | R449A | 1-1/4 | INTEGRATED PAN | 845 | |
| | 1810 | 838 | 1819 | 511 | | 1708 | 423 | | | | | | | | | 383 | |

- Case temperature will vary if the air curtain is disrupted.
- Due to continuing engineering improvements, specifications are subject to change without notice



FEDERAL INDUSTRIES
 A Standex Company
 215 Federal Avenue Belleville, Wisconsin 53508-9201

Phone: 800-356-4206
Fax: 608-424-3234
Email: Geninfo@Federalind.com
Website: Federalind.com