



The Signature of Quality

FEDERAL INDUSTRIES

A Standex Company

215 Federal Avenue
Belleville, Wisconsin 53508-9201

Phone: 800-356-4206

Fax: 608-424-3234

Email: Geninfo@Federalind.com

Website: Federalind.com

Project Name: _____

Item #: _____

Model #: _____ Qty: _____

Approval: _____

AIA #

SIS #

VISION SERIES - Square End Self-Serve Non-Refrigerated Case - 78"

Designed with impulse sales in mind. Get maximum return from an attention-grabbing and increase case profits.



Model VNSS4878S
Shown with Options

MODEL	DIMENSIONS (Includes End Panels)
<input type="checkbox"/> VNSS3678S	24 x 33 x 78 (in) 610 x 838 x 1981 (mm)
<input type="checkbox"/> VNSS3678S	36 x 33 x 78 (in) 914 x 838 x 1981 (mm)
<input type="checkbox"/> VNSS4878S	47.25 x 33 x 78 (in) 1200 x 838 x 1981 (mm)
<input type="checkbox"/> VNSS6078S	59.25 x 33 x 78 (in) 1505 x 838 x 1981 (mm)
<input type="checkbox"/> VNSS7278S	71.25 x 33 x 78 (in) 1810 x 838 x 1981 (mm)

STANDARD FEATURES

Model Features

- Black interior including shelves
- Stainless steel display deck
- Tempered glass ends
- Black powder coated base frame
- Moisture resistant end panel construction
- Choice of standard colors on lower millwork panel
- Black trim
- Adjustable leg levelers
- Cord & plug
- Matches profile of the VRSS & VHSS models

Shelving

- Four tiers of adjustable black metal shelves with price tag molding. Shelves can be flat or tilted down at 10°.

Lighting

- 3500K LED top light

Agency Approvals

- UL, C-UL, and UL Sanitation listed to NSF-2

OPTIONAL ACCESSORIES

- 3500K LED lights below shelves
- White interior (including shelves)
- Stainless steel interior (including shelves)
- Stainless steel shelves in lieu of black
- Deli meat pegs
- Additional lighted 3500K LED shelf
- Stainless steel exterior finish
- Premium exterior laminate
- Graphics package
- Solid end panels (mirrored interior)
- Reflective end glass
- Clear or reflective glass, sliding rear doors (Solid hinged on 36" cases)
- 6" legs (152mm)
- Seismic legs
- Skirt w/4" casters or legs
- 2 1/2" (63.5mm) recessed or 4" (101.6mm) casters (Weight limits may apply)
- Joining kit for continuous line-ups (not available with casters)
- Front wire display basket
- Front cart bumper
- Black polycarbonate removable locking security cover

*Additional options available on the website and price list



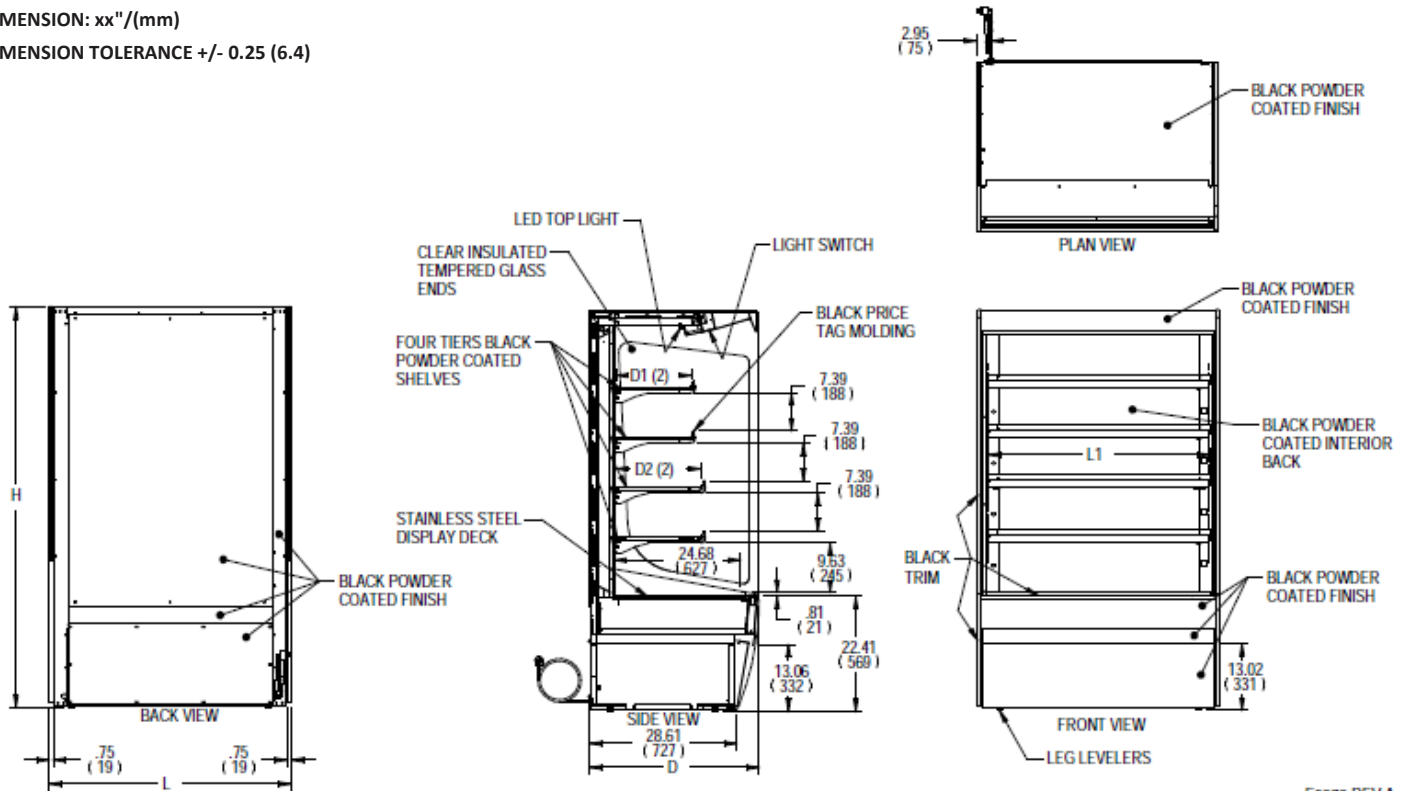
WARRANTY*
One year Parts and Labor
2nd thru 5th year part only
service compressor
(U.S.A. and Canada)

Note: Information is subject to change at any time. Visit www.federalind.com for the most current specs.

AIA #	VISION SERIES - Square End Self-Serve Non-Refrigerated Case - 78"
SIS #	Product Specifications

Zone	Intended Product To Be Displayed
All	Non-Refrigerated Package Products

DIMENSION: xx"/(mm)
 DIMENSION TOLERANCE +/- 0.25 (6.4)



E3978 REV A

MODEL	DIMENSIONS			# OF TIERS	SHELVING			INTERIOR VOLUME CU FT	STANDARD CONNECTION CORD & PLUG			SHIP WEIGHT
	L	D	H		L1	D1	D2		2 WIRE + GROUND		NEMA CORD & PLUG	
	in	in	in		in	in	in		AMPS	MAX FUSE SIZE		
VNSS2478S	24	33	78	4	20.25	14.634	16.634	12.64	1.5	15	NEMA 5-15P	500
	610	838	1981		514	372	423					227
VNSS3678S	36	33	78	4	32.25	14.634	16.634	19.47	1.5	15	NEMA 5-15P	655
	914	838	1981		819	372	423					297
VNSS4878S	47.25	33	78	4	43.25	14.634	16.634	25.74	1.5	15	NEMA 5-15P	735
	1200	838	1981		1099	372	423					333
VNSS6078S	59.25	33	78	4	55.25	14.634	16.634	32.58	2.0	15	NEMA 5-15P	940
	1505	838	1981		1403	372	423					426
VNSS7278S	71.25	33	78	4	67.25	14.634	16.634	39.42	2.0	15	NEMA 5-15P	995
	1810	838	1981		1708	372	423					451

• Due to continuing engineering improvements, specifications are subject to change without notice.



FEDERAL INDUSTRIES
 A Standex Company
 215 Federal Avenue Belleville, Wisconsin 53508-9201

Phone: 800-356-4206
Fax: 608-424-3234
Email: Geninfo@Federalind.com
Website: Federalind.com