



The Signature of Quality®

FEDERAL INDUSTRIES

A Standex Company

215 Federal Avenue
Belleville, Wisconsin 53508-9201

Phone: 800-356-4206

Fax: 608-424-3234

Email: Geninfo@Federalind.com

Website: Federalind.com

Project Name: _____

Item #: _____

Model #: _____ Qty: _____

Approval: _____

AIA #

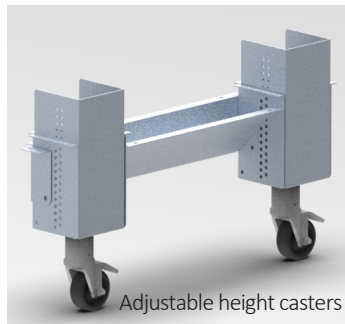
SIS #

VISION SERIES - Square Ends Self-Serve Non-Refrigerated Slide-In Display Case - 60"

Designed with impulse sales in mind. Get maximum return from an attention-grabbing case and increase profits.



Square model shown



Adjustable height casters

MODEL	DIMENSIONS (Includes End Panels)
<input type="checkbox"/> VNSS3660S-SLD	36 x 33 x 60 (in) 914 x 838 x 1524 (mm)
<input type="checkbox"/> VNSS4860S-SLD	47.25 x 33 x 60 (in) 1200 x 838 x 1524 (mm)
<input type="checkbox"/> VNSS6060S-SLD	59.25 x 33 x 60 (in) 1505 x 838 x 1524 (mm)
<input type="checkbox"/> VNSS7260S-SLD	71.25 x 33 x 60 (in) 1810 x 838 x 1524 (mm)

STANDARD FEATURES

Model Features

- Black interior including shelves
- Stainless steel display deck
- Tempered glass upper end panels
- Black powder coated base frame
- Black trim
- Adjustable height casters (32" to 38" counter height) with locks
- Cord & plug

Shelving

- Two tiers of adjustable black metal shelves with black price tag molding.
- Shelves can be flat or slanted down at 10°

Lighting

- 3500K LED top light

Agency Approvals

- UL, C-UL, and UL Sanitation listed to NSF-2

OPTIONAL ACCESSORIES

- 3500K LED lights below shelves
- White interior (including shelves)
- Stainless steel interior (including shelves)
- Stainless steel shelves in lieu of black
- Deli meat pegs
- Additional lighted 3500K LED shelf
- Stainless steel exterior finish
- Premium exterior laminate
- Graphics package
- Solid end panels (mirrored interior)
- Reflective end glass
- Clear or reflective glass, sliding rear doors
- Black polycarbonate removable locking security cover

*Additional options available on the website and price list



WARRANTY*
One year Parts and Labor
2nd thru 5th year part only
service compressor
(U.S.A. and Canada)

Note: Information is subject to change at any time. Visit www.federalind.com for the most current specs.

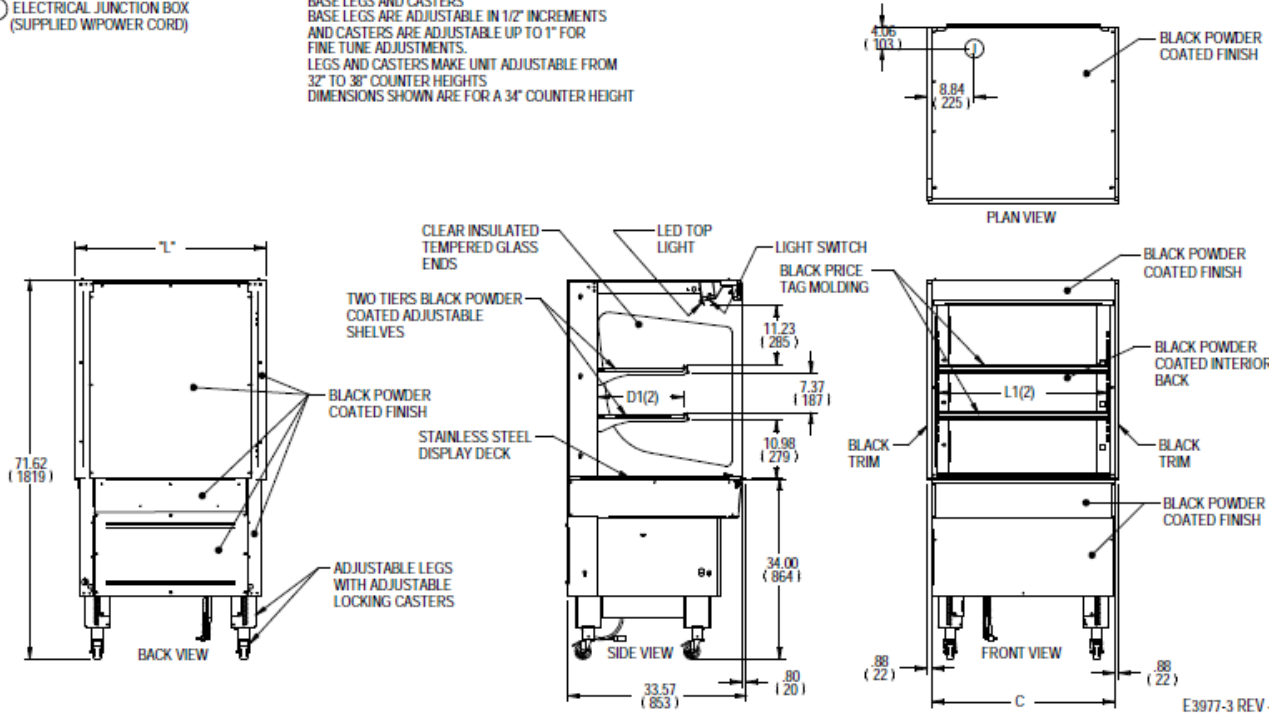
AIA #	VISION SERIES - Square Ends Self-Serve Non-Refrigerated Slide-In Display Case - 60"
SIS #	

Zone	Intended Product To Be Displayed
All	Non-Refrigerated Packaged Merchandise

DIMENSION: xx" / (mm)
 DIMENSION TOLERANCE +/- 0.25 (6.4)

SYMBOL KEY:
 ① ELECTRICAL JUNCTION BOX (SUPPLIED W/POWER CORD)

NOTE:
 BASE LEGS AND CASTERS
 BASE LEGS ARE ADJUSTABLE IN 1/2" INCREMENTS
 AND CASTERS ARE ADJUSTABLE UP TO 1" FOR
 FINE TUNE ADJUSTMENTS.
 LEGS AND CASTERS MAKE UNIT ADJUSTABLE FROM
 32" TO 38" COUNTER HEIGHTS
 DIMENSIONS SHOWN ARE FOR A 34" COUNTER HEIGHT



MODEL	DIMENSIONS				COUNTER CUTOUT	SHELVING		INTERIOR VOLUME CU FT	STANDARD CONNECTION CORD & PLUG		SHIP WEIGHT	
	L	D	H	C		# OF TIERS	L1		D1	2 WIRE + GROUND		
	in	in	in	in			in		in	120/60/1		
	mm	mm	mm	mm			mm		mm	AMPS		MAX FUSE SIZE
VNSS3660S-SLD	36	33	60	34.5	35.25	2	32.25	16.634	1.5	15	NEMA 5-15P	445
	914	838	1524	876	895		819	423				202
VNSS4860S-SLD	47.25	33	60	45.5	46.25	2	43.25	16.634	1.5	15	NEMA 5-15P	535
	1200	838	1524	1156	1175		1099	423				243
VNSS6060S-SLD	59.25	33	60	57.5	58.25	2	55.25	16.634	2.0	15	NEMA 5-15P	665
	1505	838	1524	1461	1480		1403	423				302
VNSS7260S-SLD	71.25	33	60	68.5	70.25	2	67.25	16.634	2.0	15	NEMA 5-15P	755
	1810	838	1524	1765	1784		1708	423				342

- Due to continuing engineering improvements, specifications are subject to change without notice.
- Case temperature will vary if the air curtain is disrupted.



FEDERAL INDUSTRIES
 A Standex Company
 215 Federal Avenue Belleville, Wisconsin 53508-9201

Phone: 800-356-4206
 Fax: 608-424-3234
 Email: Geninfo@Federalind.com
 Website: Federalind.com