



The Signature of Quality

FEDERAL INDUSTRIES

A Standex Company

215 Federal Avenue
Belleville, Wisconsin 53508-9201

Phone: 800-356-4206

Fax: 608-424-3234

Email: Geninfo@Federalind.com

Website: Federalind.com

Project Name: _____

Item #: _____

Model #: _____ Qty: _____

Approval: _____

AIA #

SIS #

VISION SERIES - Square End Self-Serve Non-Refrigerated Case - 60"

Designed with impulse sales in mind. Get maximum return from an attention-grabbing case and increase profits.



Model VNSS3660S
Shown with Options

MODEL	DIMENSIONS (Includes End Panels)
<input type="checkbox"/> VNSS2460S	24 x 33 x 60 (in) 610 x 838 x 1524 (mm)
<input type="checkbox"/> VNSS3660S	36 x 33 x 60 (in) 914 x 838 x 1524 (mm)
<input type="checkbox"/> VNSS4860S	47.25 x 33 x 60 (in) 1200 x 838 x 1524 (mm)
<input type="checkbox"/> VNSS6060S	59.25 x 33 x 60 (in) 1505 x 838 x 1524 (mm)
<input type="checkbox"/> VNSS7260S	71.25 x 33 x 60 (in) 1810 x 838 x 1524 (mm)

STANDARD FEATURES

Model Features

- Black interior including shelves
- Stainless steel display deck
- Tempered glass ends
- Black powder coated base frame
- Moisture resistant end panel construction
- Choice of standard colors on lower millwork panel
- Black trim
- Adjustable leg levelers
- Cord & plug
- Matches profile of the VRSS & VHSS models

Shelving

- Two tiers of adjustable black metal shelves with price tag molding. Shelves can be flat or tilted down at 10°

Lighting

- 3500K LED top light

Agency Approvals

- UL, C-UL, and UL Sanitation listed to NSF-2

OPTIONAL ACCESSORIES

- | | |
|--|--|
| <input type="checkbox"/> 3500K LED lights below shelves | <input type="checkbox"/> 6" legs (152mm) |
| <input type="checkbox"/> White interior (including shelves) | <input type="checkbox"/> Seismic legs |
| <input type="checkbox"/> Stainless steel interior (including shelves) | <input type="checkbox"/> Skirt w/4" casters or legs |
| <input type="checkbox"/> Stainless steel shelves in lieu of black | <input type="checkbox"/> 2 1/2" (63.5mm) recessed or |
| <input type="checkbox"/> Deli meat pegs | <input type="checkbox"/> 4" (101.6mm) casters (Weight |
| <input type="checkbox"/> Additional lighted 3500K LED shelf | <input type="checkbox"/> limits may apply) |
| <input type="checkbox"/> Stainless steel exterior finish | <input type="checkbox"/> Joining kit for continuous line-ups |
| <input type="checkbox"/> Premium exterior laminate | <input type="checkbox"/> (not available with casters) |
| <input type="checkbox"/> Graphics package | <input type="checkbox"/> Front wire display basket |
| <input type="checkbox"/> Solid end panels (mirrored interior) | <input type="checkbox"/> Front cart bumper |
| <input type="checkbox"/> Reflective end glass | <input type="checkbox"/> Black polycarbonate removable |
| <input type="checkbox"/> Clear or reflective glass, sliding rear doors | <input type="checkbox"/> locking security cover |
| <input type="checkbox"/> (Solid hinged on 36" cases) | |

*Additional options available on the website and price list



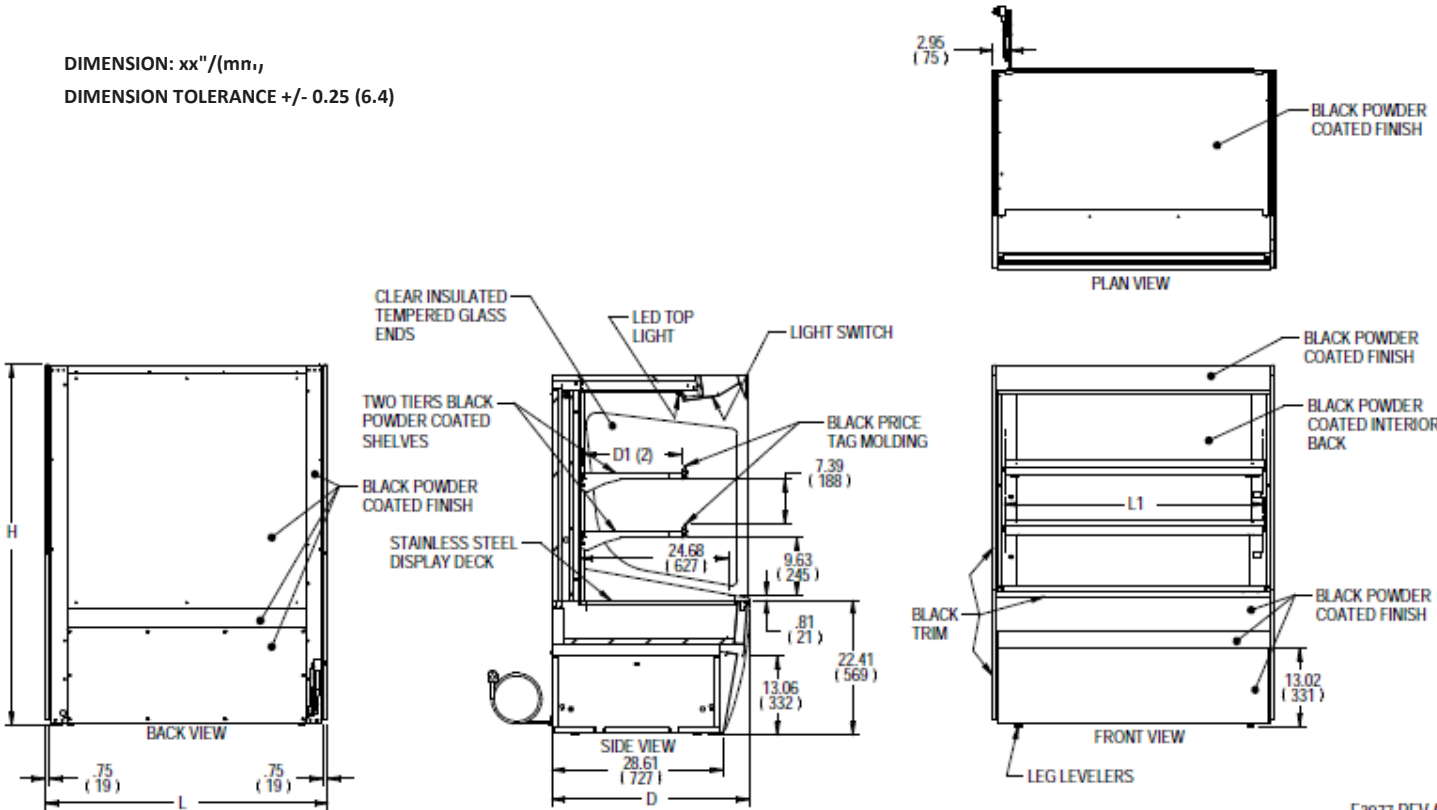
WARRANTY*
One year Parts and Labor
2nd thru 5th year part only
service compressor
(U.S.A. and Canada)

Note: Information is subject
to change at any time. Visit
www.federalind.com for the
most current specs.

AIA #	VISION SERIES - Square End Self-Serve Non-Refrigerated Case - 60"
SIS #	Product Specifications

Zone	Intended Product To Be Displayed
All	Non-Refrigerated Package Products

DIMENSION: xx"/(mm.)
 DIMENSION TOLERANCE +/- 0.25 (6.4)



E3977 REV A

MODEL	DIMENSIONS			SHELVING		INTERIOR VOLUME CU FT	STANDARD CONNECTION CORD & PLUG		SHIP WEIGHT	
	L	D	H	# OF TIERS	L1		D1	2 WIRE + GROUND		
	in	in	in		in		in	120/60/1		
	mm	mm	mm		mm		mm	AMPS		MAX FUSE SIZE
VNSS2460S	24	33	60	2	20.25	16.634	1.5	15	NEMA 5-15P	305
	610	838	1524		514	423				138
VNSS3660S	36	33	60	2	32.25	16.634	1.5	15	NEMA 5-15P	445
	914	838	1524		819	423				202
VNSS4860S	47.25	33	60	2	43.25	16.634	1.5	15	NEMA 5-15P	535
	1200	838	1524		1099	423				243
VNSS6060S	59.25	33	60	2	55.25	16.634	2.0	15	NEMA 5-15P	665
	1505	838	1524		1403	423				302
VNSS7260S	71.25	33	60	2	67.25	16.634	2.0	15	NEMA 5-15P	755
	1810	838	1524		1708	423				342

• Due to continuing engineering improvements, specifications are subject to change without notice.



ANSI/NSF 2



FEDERAL INDUSTRIES
 A Standex Company
 215 Federal Avenue Belleville, Wisconsin 53508-9201

Phone: 800-356-4206
Fax: 608-424-3234
Email: Geninfo@Federalind.com
Website: Federalind.com