



The Signature of Quality

### FEDERAL INDUSTRIES

A Standex Company  
215 Federal Avenue  
Belleville, WI 53508-9201

Phone: 800-356-4206  
Fax: 608-424-3234  
Email: geninfo@federalind.com  
Website: www.federalind.com

Project Name: \_\_\_\_\_

Item #: \_\_\_\_\_

Model #: \_\_\_\_\_ Qty: \_\_\_\_\_

Approval: \_\_\_\_\_

AIA#

SIS#

## VERSATILE SERVICE TOP OVER REFRIGERATED SELF-SERVE COUNTER CASE

Designed for those customers looking for up-market styling for maximum visual appeal that will drive product sales. Height 32.625" for service counter installation.

\*Model SSRVS3633  
Shown with Optional  
Squared Ends and  
Stainless Steel  
Exterior For Under  
Counter Installation



Under Counter  
Installation Shown



Model SSRVS3633  
Shown with options



MODEL	DIMENSIONS ( Includes End Panels )
<input type="checkbox"/> SSRVS3633	36 x 34 x 32.625 (in) 914 x 864 x 838 (mm)
<input type="checkbox"/> SSRVS5033	50 x 34 x 32.625 (in) 1270 x 864 x 838 (mm)
<input type="checkbox"/> SSRVS5933	59 x 34 x 32.625 (in) 1499 x 864 x 838 (mm)
<input type="checkbox"/> SSRVS7733	77 x 34 x 32.625 (in) 1956 x 864 x 838 (mm)

### STANDARD FEATURES

#### Model Features

- All-steel base construction with black laminate exterior. Other finishes optional
- Black interior, glass end panels
- Easily accessible light and power switch
- Rear access to refrigeration system for quick and easy service
- Black top
- Adjustable leg levelers
- Black step riser

#### Refrigeration

- On-Demand PTC condensate evaporator provided for a totally self-contained system
- Electronic temperature controls maintain 38°-40°F
- Easy clean, rustproof insulated evaporator coil compartment
- Rear condensing unit air intake & discharge
- R449a refrigerant
- Thermometer

#### Lighting

- LED top light

#### Agency Approvals

- UL and UL Sanitation listed
- DOE 2017 Compliant

### OPTIONAL ACCESSORIES

#### For Self-Service Refrigerated Base

- Special Exterior Finish
- Glass Shelf or black solid shelf w/ LED light
- White or Stainless Interior (Including Step Riser or Shelf)
- Stainless steel top
- Energy Saving Night Curtain
- Reflective End Glass
- Security Night Cover
- Solid End Panels with Mirrored Interior
- Remote Refrigeration (R449a Refrigerant, EEV Included)

- Condensate Pump
- Recessed Casters
- Front Non-Refrigerated Display Merchandiser
- Cord & Plug
- Legs
- Squared Ends

#### Required Options for Under Counter Use:

- Recessed Casters
- Solid End Panels with Mirrored Interior
- Cord & Plug
- Squared Ends



WARRANTY\*  
One year Parts and Labor  
2nd thru 5th year part  
only service compressor  
(U.S.A and Canada)



Note: Information is subject to change at any time.  
Visit [www.federalind.com](http://www.federalind.com) for the most current specs.

Revised 03/24/2022

AIA#

# VERSATILE SERVICE TOP OVER REFRIGERATED SELF-SERVE COUNTER CASE

SIS#


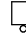
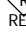
## Product Specifications

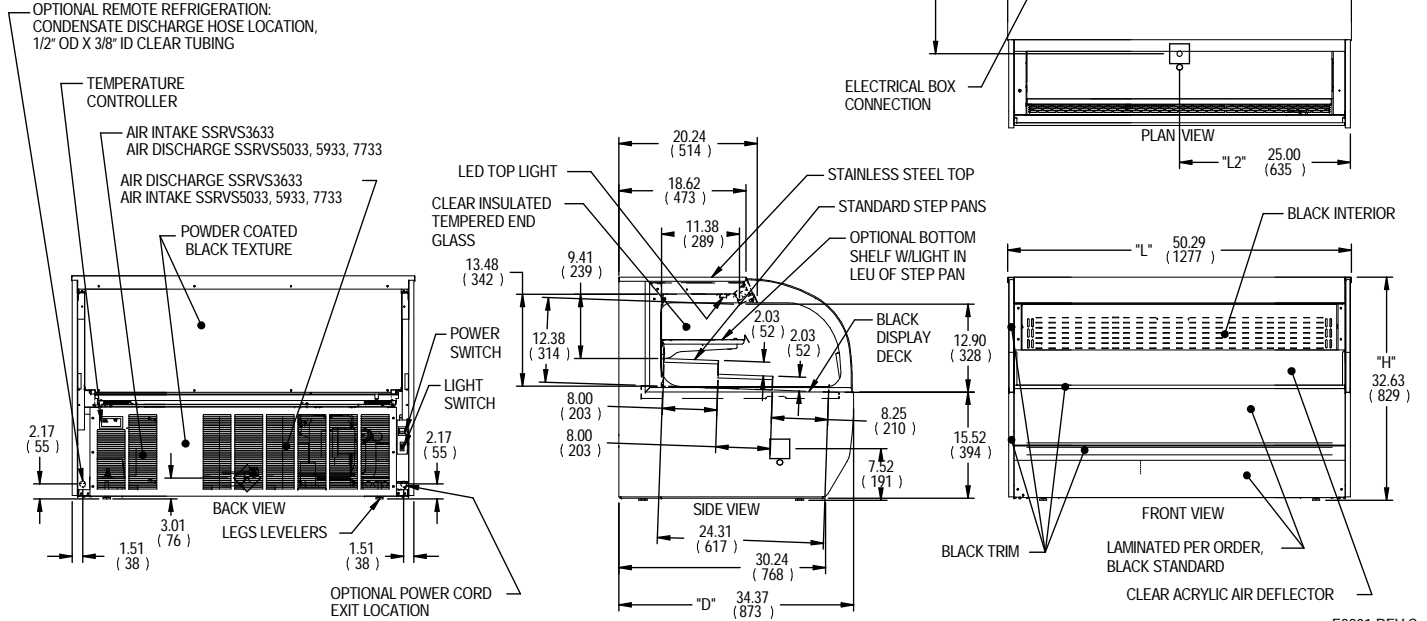
Intended Environment: Type I - Designed to operate in maximum ambient conditions of 75°F (24°C) and 55% relative humidity unless noted otherwise in system information below.

Zone	Intended Product To Be Displayed	Avg Prod Temp °F/°C
All	Packaged Refrigerated Products	38°F / (3.3°C)

DIMENSION: xx"/(mm)

DIMENSION TOLERANCE +/- 0.25 (6.4)

SYMBOL KEY:  
 ELECTRICAL JUNCTION BOX (SUPPLIED W/6' LEADS OR POWER CORD)  
 TUB DRAIN LOCATION  
 REMOTE REFRIGERATION Line Connection



E3801 REV C

MODEL	DIMENSION				STEP RISER		INTERIOR VOLUME CU FT	SELF CONTAINED				REMOTE									
	L	D	H	L3	# OF STEPS	D		L	PERMANENT CONNECT		OPTIONAL NEMA CORD & PLUG	REF	C.U. HP	SHIP WEIGHT	PERMANENT CONNECT		REF	BTU'S @+20°	SHIP WEIGHT		
									2-WIRE + GROUND						2-WIRE + GROUND	LBS				2-WIRE + GROUND	KILO
									ELECTRICAL	AMPS											
in	in	in	in	in	in	in															
mm	mm	mm	mm	mm	mm	mm															
SSRVS3633	36.2	34.2	32.6	20.92	2	8.00	32.3	5.20	120/60/1	14.3	20	5-20	R449a	1/3	450 LBS	8.5	15	R449a	3,600	390 LBS	
	919	869	828	531		203	820								204 KILO					177 KILO	
SSRVS5033	50.2	34.2	32.6	25.60	2	8.00	46.3	7.30	120/60/1	14.3	20	5-20	R449a	1/3	620 LBS	8.5	15	R449a	4,400	560 LBS	
	1275	869	828	650		203	1176								281 KILO					254 KILO	
SSRVS5933	59.2	34.2	32.6	26.70	2	8.00	55.2	8.60	208-240/60/1	14.5	20	6-20	R449a	3/4	750 LBS	8.5	15	R449a	5,400	675 LBS	
	1504	869	828	678		203	1402								340 KILO					306 KILO	
SSRVS7733	77.2	34.2	32.6	26.70	2	8.00	73.2	11.30	208-240/60/1	14.5	20	6-20	R449a	3/4	980 LBS	8.5	15	R449a	6,400	905 LBS	
	1961	869	828	678		203	1859								444 KILO					410 KILO	

- Refrigerated cases are designed to operate in a maximum of 75°F (24°C) ambient and 55% relative humidity.
- Due to continuing engineering improvements, specifications are subject to change without notice.



**FEDERAL INDUSTRIES**  
 A Standex Company  
 215 Federal Avenue Belleville, Wisconsin 53508-9201

**Phone:** 800-356-4206  
**Fax:** 608-424-3234  
**Email:** Geninfo@Federalind.com  
**Website:** Federalind.com