



The Signature of Quality®

FEDERAL INDUSTRIES

A Standex Company
215 Federal Avenue
Belleville, WI 53508-9201

Phone: 800-356-4206
Fax: 608-424-3234
Email: geninfo@federalind.com
Website: www.federalind.com

Project Name: _____

Item #: _____

Model #: _____ Qty: _____

Approval: _____

AIA#

SIS#

REFRIGERATED SELF-SERVE LOW PROFILE SPECIALTY MERCHANDISER

Maximize your display potential with Federal's low-profile, refrigerated self-serve merchandiser. Bring product to the customer for increased sales with the reduced labor of a self-serve display case.



Model LPRSS4 Shown

| MODEL | DIMENSIONS (Includes End Panels) |
|---------------------------------|---|
| <input type="checkbox"/> LPRSS3 | 36 x 34 x 46 (in) 914 x 864 x 1168 (mm) |
| <input type="checkbox"/> LPRSS4 | 48 x 34 x 46 (in) 1219 x 864 x 1168 (mm) |
| <input type="checkbox"/> LPRSS5 | 60 x 34 x 46 (in) 1524 x 864 x 1168 (mm) |
| <input type="checkbox"/> LPRSS6 | 72 x 34 x 46 (in) 1829 x 864 x 1168 (mm) |

STANDARD FEATURES

Model Features

- Steel base construction with choice of six standard laminates on exterior. Other finishes optional
- Black trim
- Easily accessible light switch, power switch, and adjustable temperature control.
- Rear access to refrigeration system for quick and easy service
- Energy-saving night curtain
- Stainless steel display deck and black interior ends and back panel. Glass end panels.
- Adjustable Leg Levelers
- Cord and plug (Self-Contained only)
- Continuous line-ups are available for remote applications
- Insulated with high-density foam

Refrigeration

- On-Demand PTC condensate evaporator provided for a totally self-contained system standard on models LPRSS3 and LPRSS4.
- Condensate pump is standard on the LPRSS and LPRSS6 and remote cases.
- Electronic temperature controls maintain 38°-40°F.
- Easy clean, rustproof insulated evaporator coil compartment
- R449a refrigerant
- Thermometer

Shelving

- Two tiers adjustable metal shelves

Lighting

- 3500K LED top light and shelf light
- DLC Certified, IP66 rated

Agency Approvals

- UL and UL Sanitation listed
- DOE 2017 Compliant

OPTIONAL ACCESSORIES

- Special Base Finish
- Casters: Recessed or Exposed
- Legs
- Remote Refrigeration (EEV Included) (Includes Condensate Pump)
- Solid Rear Sliding Access Doors
- Two-Tier Display Step in Lieu of Shelving
- Glass or Stainless Shelving in Lieu of Black Metal
- Flush End Panels for Counter Installations
- Joining Kit for Continuous Line-ups
- Reflective End Glass
- Stainless Steel Interior, including shelves
- Security Night Cover
- Front Non-Refrigerated Display Merchandiser
- Front or Rear Condensing unit air discharge
- Condensate Pump (optional for LPRSS3 & LPRSS4 Only)
- Condensate Evaporator Assembly (Field install, dedicated 120V, 15A Circuit Required) (optional for LPRSS5, LPRSS6 & remote cases only)



WARRANTY*
One year Parts and Labor
2nd thru 5th year part
only service compressor
(U.S.A and Canada)



Note: Information is subject to change at any time.
Visit www.federalind.com for the most current specs.

AIA#

REFRIGERATED SELF-SERVE LOW PROFILE SPECIALTY MERCHANDISER

SIS#

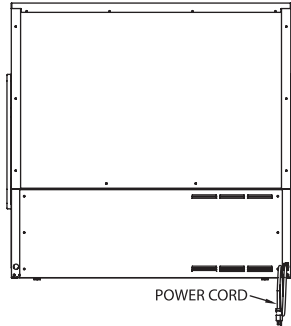
Product Specifications

Intended Environment: Type I - Designed to operate in maximum ambient conditions of 75°F (24°C) and 55% relative humidity unless noted otherwise in system information below.

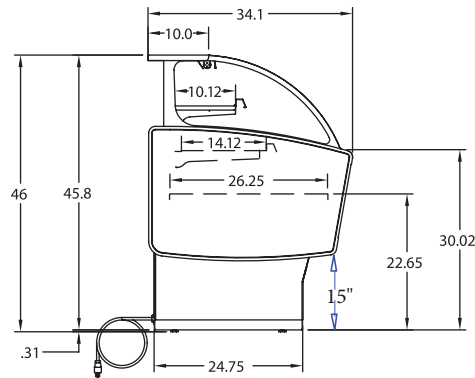
| Zone | Intended Product To Be Displayed | Avg Prod Temp °F/°C |
|------|----------------------------------|---------------------|
| All | Packaged Refrigerated Products | 38°F / (3.3°C) |

DIMENSION: xx"/(mm)

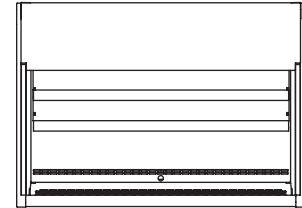
DIMENSION TOLERANCE +/- 0.25 (6.4)



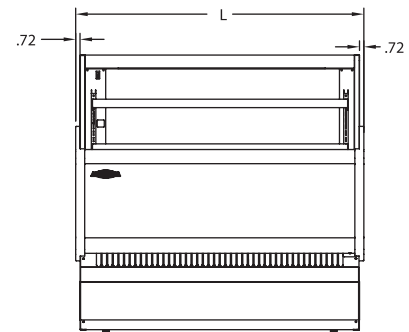
REAR VIEW



END VIEW



PLAN VIEW



FRONT VIEW

| MODEL | DIMENSIONS | | | | SHIPPING WHT | | SELF CONTAINED Permanently Connected | | | OPTIONAL NEMA PLUG | SHELF AREA | *REMOTE | |
|--------|------------|-----|------|-------|--------------|------|--------------------------------------|---------|--------|--------------------|------------|----------|--------|
| | L | D | H | UNITS | LBS | KILO | VOLTAGE | AMPS | H.P. | CONFIG (SC) | | VOLTAGE | AMPS |
| LPRSS3 | 36 | 34 | 46 | in. | 457 | 207 | 120/60/1 | 16 AMPS | 1/3 HP | NEMA 5-20P | 11 | 120/60/1 | 2 AMPS |
| | 914 | 864 | 1168 | mm. | | | | | | | | | |
| LPRSS4 | 48 | 34 | 46 | in. | 560 | 254 | 120/60/1 | 16 AMPS | 1/3 HP | NEMA 5-20P | 15 | 120/60/1 | 2 AMPS |
| | 1219 | 864 | 1168 | mm. | | | | | | | | | |
| LPRSS5 | 60 | 34 | 46 | in. | 650 | 295 | 208-240/60/1 | 9 AMPS | 1/2 HP | NEMA 6-15P | 19 | 120/60/1 | 3 AMPS |
| | 1524 | 864 | 1168 | mm. | | | | | | | | | |
| LPRS6 | 72 | 34 | 46 | in. | 750 | 340 | 208-240/60/1 | 10 AMPS | 3/4 HP | NEMA 6-15P | 24 | 120/60/1 | 3 AMPS |
| | 1829 | 864 | 1168 | mm. | | | | | | | | | |

- If a GFCI circuit is required, a GFCI Breaker Must be used instead of a GFCI recepticle.
- Case temperature will vary if the air curtain is disrupted.
- The rear of the unit needs to be 6" from wall.
- Refrigerated cases are designed to operate in a maximum of 75°F (24°C) ambient and 55% relative humidity.
- Due to continuing engineering improvements, specifications are subject to change without notice.



The Signature of Quality®

FEDERAL INDUSTRIES

A Standex Company

215 Federal Avenue, Belleville, Wisconsin 53508-9201

Phone: 800-356-4206

Fax: 608-424-3234

Email: Geninfo@Federalind.com

Website: Federalind.com