



The Signature of Quality

FEDERAL INDUSTRIES

A Standex Company
215 Federal Avenue
Belleville, WI 53508-9201

Phone: 800-356-4206
Fax: 608-424-3234
Email: geninfo@federalind.com
Website: www.federalind.com

Project Name: _____

Item #: _____

Model #: _____ Qty: _____

Approval: _____

AIA#

SIS#

COUNTERTOP HEATED DISPLAY CASE

Our countertop merchandiser combines attractive curved glass styling and merchandising flexibility. Designed for continuous case line-ups.



MODEL	DIMENSIONS (Includes End Panels)
<input type="checkbox"/> CH2428	23 x 29.7 x 25.12 (in) 635 x 754 x 638 (mm)
<input type="checkbox"/> CH3628	35 x 29.7 x 25.12 (in) 889 x 754 x 638 (mm)
<input type="checkbox"/> CH4828	47 x 29.7 x 25.12 (in) 1194 x 754 x 638 (mm)

STANDARD FEATURES

Model Features

- Curved glass styling.
- Tempered front and end glass.
- Removable sliding rear doors, shelf lights, shelf supports, and shelves.
- Stainless steel display deck
- Easily accessible light switch and variable heat control
- Humidified air maintains ideal product moisture
- Stainless steel construction
- Designed for continuous line-ups
- Cord and plug (NEMA 5-15P)
- Drain not required

Shelving

- Two adjustable Stainless Steel Shelves. Shelves are adjustable up and down and can also be tilted in two positions.

Lighting

- Incandescent top and shelf lights

Agency Approvals

- UL Safety and UL Sanitation Listed

OPTIONAL ACCESSORIES

- Reflective ends
- Reflective rear doors
- Pedestal with wrapping board (Matches refrigerated bar mount unit)
- Insulated End Panel - for case line-ups
- Front mounted control



WARRANTY*
One year Parts and Labor
2nd thru 5th year part
only service compressor
(U.S.A and Canada)

Note: Information is subject to change at any time. Visit www.federalind.com for the most current specs.

AIA#

COUNTERTOP SIGNATURE SERIES HEATED DISPLAY CASE

SIS#


Product Specifications

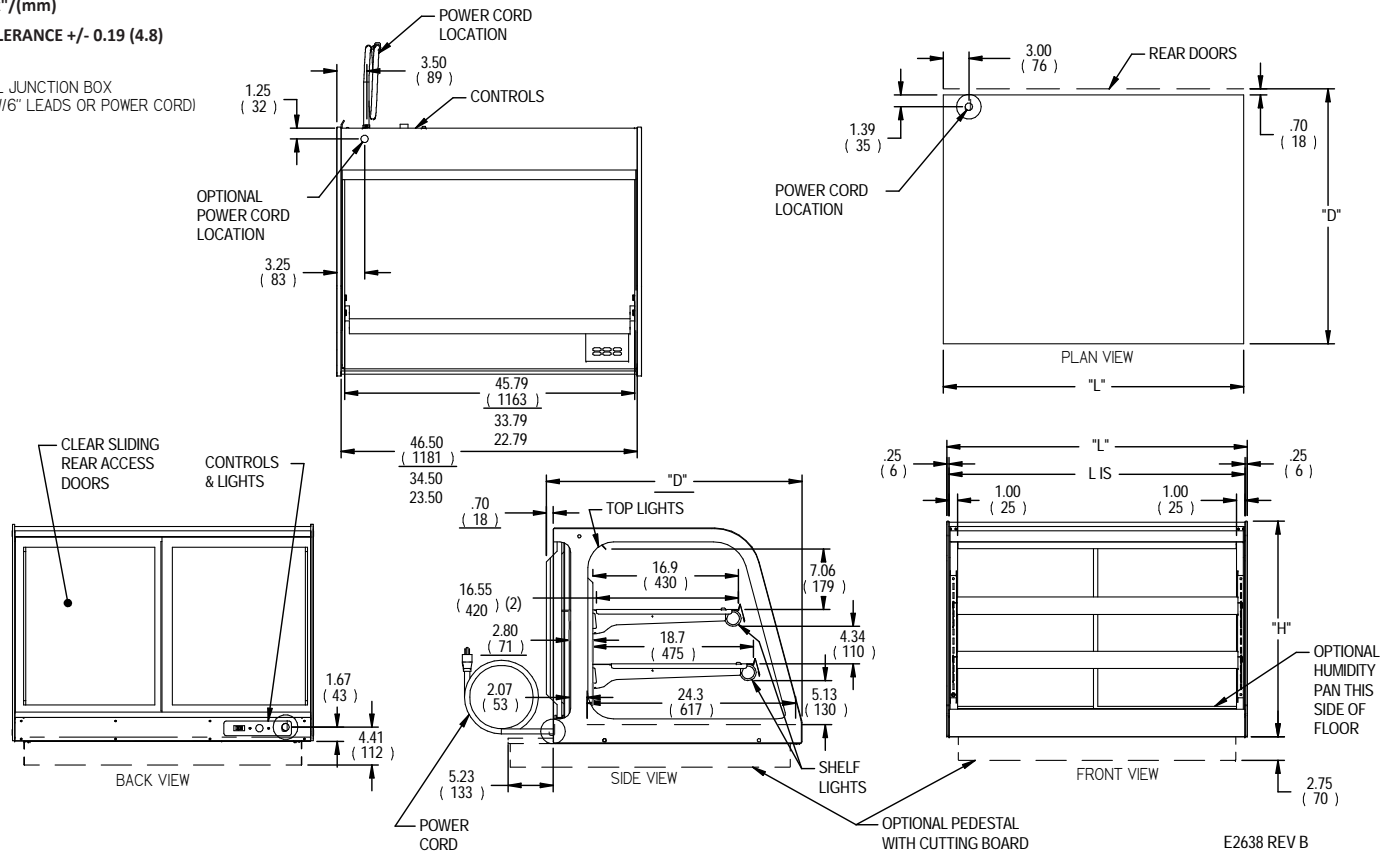
Intended Environment: Not intended for use outdoors or in environments exceeding 90% relative humidity

Zone	Intended Product to Be Displayed	Warmest Avg Prod Temp °F/°C
All	Potentially Hazardous Unpackaged or Packaged Product	160°F/(71.1°C)

DIMENSION: xx"/(mm)

DIMENSION TOLERANCE +/- 0.19 (4.8)

SYMBOL KEY:
 ELECTRICAL JUNCTION BOX
 (SUPPLIED W/6" LEADS OR POWER CORD)



MODEL	DIMENSION				SHELVING			INTERIOR VOLUME CU FT	ELECTRICAL			SHIP WEIGHT
	L	D	H	L IS	# OF TIERS	D	L		2-WIRE + GROUND 120/60/1			
	in	in	in	in		in	in		AMPS	MAX FUSE SIZE	STANDARD NEMA CORD & PLUG	LBS
	mm	mm	mm	mm	mm	mm	mm					KILO
CH2428	24.0	29.7	25.1	23.5	2	16.6	22.5	6.25	7.2	15	NEMA 5-15p	290 LBS
	610	754	638	597		420	572					132 KILO
CH3628	35.0	29.7	25.1	34.5	2	16.6	33.5	9.25	8.5	15	NEMA 5-15p	333 LBS
	889	754	638	876		420	851					151 KILO
CH4828	47.0	29.7	25.1	46.5	2	16.6	45.5	12.50	11	15	NEMA 5-15p	375 LBS
	1194	754	638	1181		420	1156					170 KILO

- Due to continuing engineering improvements, specifications are subject to change without notice.



The Signature of Quality®

FEDERAL INDUSTRIES

A Standex Company

215 Federal Avenue Belleville, Wisconsin 53508-9201

Phone: 800-356-4206

Fax: 608-424-3234

Email: Geninfo@Federalind.com

Website: Federalind.com